

**Datasheet**  
**Sensor / Actuator Cable**  
**Type: Socket angled M12**

**Part no. G106491**

Sensor / Actuator cable, 8-pole,  
PUR, halogen-free, black-grey RAL 7021,  
insulated wire end ferrules, on Socket angled M12,  
A-coded, cable length: 3 m



**Technical specifications:**

General Characteristics:

Rated current at 40 °C:	2 A
Rated voltage:	30 V
Number of contacts:	8
Contact resistance:	$\leq 5 \text{ m}\Omega$
Insulation resistance:	$\geq 100 \text{ M}\Omega$
Cable length:	3 m
Ambient temperature (operating state):	-25 °C ... 90 °C (plug/socket)

Electrical characteristics:

Ambient temperature (operating state):	-5 °C ... 80 °C (Cable, movable laying)
Overvoltage category:	II
Inflammability class according to UL 94:	HB
Pollution degree:	3
Degree of protection:	IP65/IP68/IP69K
Contact material:	CuZn
Contact surface material:	Ni/Au
Contact carrier material:	TPU GF
Material of grip body:	TPU, hardly inflammable, self-extinguishing
Material ring nut:	Zinc die-cast, nickel-plated
Status display:	no

# Datasheet

## Sensor / Actuator Cable

### Type: Socket angled M12

**Part no. G106491**

Characteristics cable:

Cable type (abbreviation):	PUR
Cable abbreviation:	Li9Y11Y
Conductor cross section:	0,25 mm <sup>2</sup>
AWG signal line:	24
Conductor structure signal line:	32x 0,10 mm
Core diameter including insulation:	1,17 mm ±0,02 mm
Thickness insulation:	>= 0,21 mm (conductor insulation)
External cable diameter:	5,9 mm ±0,15 mm
Wire colours:	brown,blue,white,grey,pink,red,yellow,green
External sheath, colour:	Black-grey RAL 7021
Insulation resistance:	>= 100 MOhm*km (at 20 °C)
Conductor resistance:	max. 78 Ohm/km (at 20 °C)
Nominal voltage cable:	<= 300 V
Test voltage cable:	>= 3000 V
Overall twist:	8 wires around filler to the core
Outer sheath, material:	PUR
Material, filler:	PE
Material, conductor insulation:	PP
Conductor material:	bare Cu litz wires
Cable weight:	46 kg/km
Minimum bending radius, fixed installation:	8 x D
Minimum bending radius, flexible installation:	10 x D
Number of bending cycles:	4000000
Bending radius:	59 mm
Traversing path:	10 m
Traversing rate:	3 m/s
Acceleration:	10 m/s <sup>2</sup>
Special properties:	Flexible cable conduit
Special properties:	Silicone-free
Flame resistance:	In accordance with DIN UL-Style 20549
Halogen-free:	In accordance with DIN VDE 0472 Teil 815

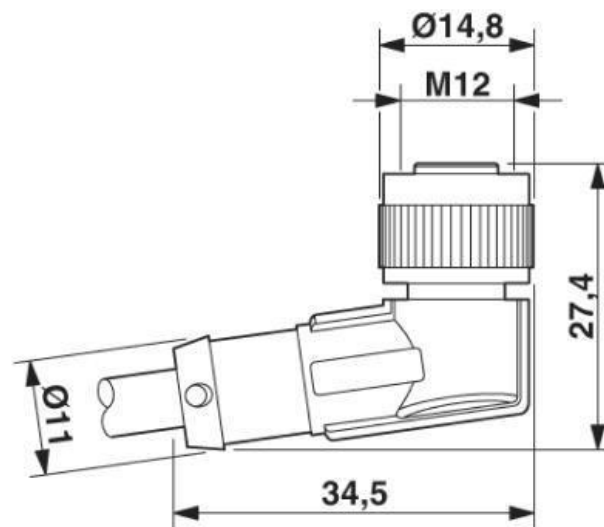
**Datasheet**  
**Sensor / Actuator Cable**  
**Type: Socket angled M12**

**Part no. G106491**

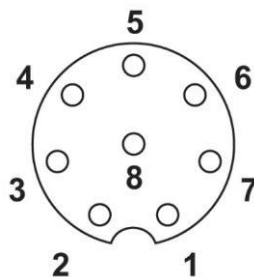
Resistance:

Resistance to oil:	In accordance with DIN EN 60811-2-1
Other resistance:	Highly resistant to acids, alkaline, solutions and solvents
Other resistance:	Hydrolysis and microbe resistant

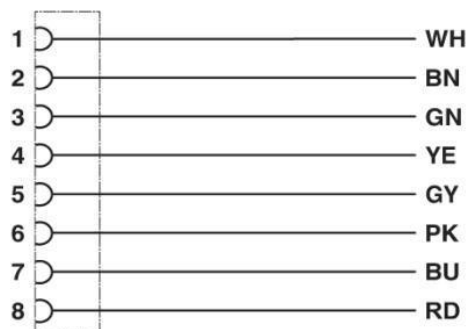
Socket M12 x 1, angled



Poles Socket M12, 8-pole, A-coded, View socket-side



Pin assignment of M12-Socket



Hotline +49 (0)7389 90920 - eMail [info@engler-msr.de](mailto:info@engler-msr.de)

V01 Datum 07.10.10 ig G: ks Ü: be (100718) TS\_EmNr\_G106491