

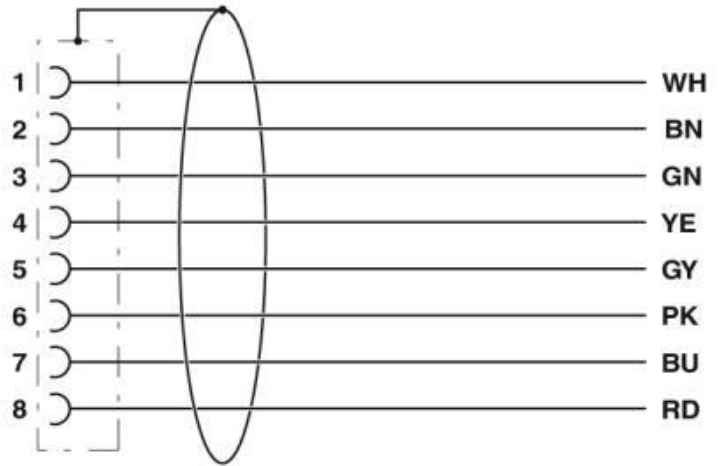
# Datasheet

## Sensor / Actuator cable

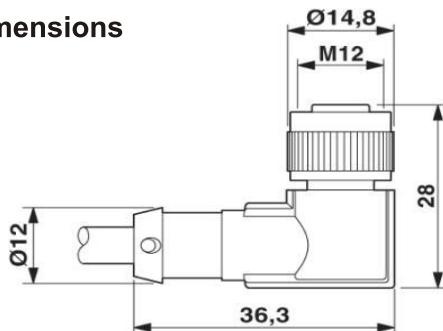
### Typ: Socket angled, shielded M12



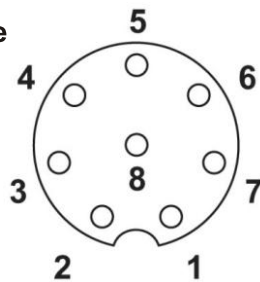
#### Terminal diagram



#### Dimensions



#### Poles socket view socket-side



#### Description

Sensor / Actuator cable,  
8-pole,  
PUR,  
halogen-free,  
black RAL 9005,  
shielded,  
insulated wire end ferrules, on socket angled M12,  
A-coded,  
cable length: 3 m

#### Technical data

##### Ambient conditions

Ambient temperature (operating state): -25 °C to 90 °C (plug/socket)  
Protection rating: IP65/IP67

##### General:

Cable length:	5 m
Rated current at 40 °C:	2 A
Rated voltage:	30 V
Number of contacts:	8
Insulated resistance:	>= 100 MOhm
Coding:	A - Standard
Overvoltage category:	II
Pollution degree:	3
Status display:	no
Insertion/withdrawal cycles:	>= 100
Torque:	0.4Nm (M12-connector)

# Datasheet

## Sensor / Actuator cable

### Typ: Socket angled, shielded M12

#### Technical Data

##### Material

Flammability rating according to UL 94:	HB
Contact material:	CuSn
Contact surface material:	Ni/Au
Contact carrier material:	TPU GF
Material of grip body:	TPU, hardly inflammable, self-extinguishing
Material, knurls:	Zinc die-cast, nickel-plated
Sealing material:	NBR

##### Cable

Cable type (abbreviation):	PUR
Cable abbreviation:	Li9Y11Y
Conductor cross section:	0.25 mm <sup>2</sup>
AWG signal line:	24
Conductor structure signal line:	32x 0.10 mm
Core diameter including insulation:	1.17 mm ±0.02 mm
External cable diameter D:	5.9 mm ±0.2 mm
Wire colors:	brown, blue, white, grey, pink, red, yellow, green
Overall twist:	8 wires around filler to the core
External sheath, color:	black RAL 9005
Shielding:	Tinned copper braided shield
Optical shield covering:	85 %
Insulation resistance:	>= 1 GOhm*km (at 20 °C)
Conductor resistance:	max. 78 Ohm/km (at 20 °C)
Nominal voltage cable:	<= 300 V AC
Test voltage cable:	>= 3000 V AC
Test voltage Core/Shield:	>= 2000 V AC (for 60 s)
Outer sheath, material:	PUR
Material, conductor insulation:	PP
Conductor material:	bare Cu litz wires
Number of bending cycles:	2000000
Bending radius:	59 mm
Traversing rate:	10 m
Traversing rate:	3 m/s
Acceleration:	10 m/s <sup>2</sup>
Special properties:	flexible cable conduit silicone-free

Flame resistance:	in accordance with UL FT-2 in accordance with UL 758/1581 (horizontal) in accordance with UL 758/1581 Ft2 in accordance with DIN EN 60332-2-2 (20 s)
-------------------	---

Halogen-free:	in accordance with DIN VDE 0472 part 815
---------------	--

Other resistance:	partly UV-resistant in accordance with DIN EN ISO 4892-2-A Hydrolysis and microbe resistant
-------------------	---

Ambient temperature (operation):	-5 °C to 80 °C (cable, flexible installation) -25 °C to 80 °C (cable, fixed installation)
----------------------------------	--