

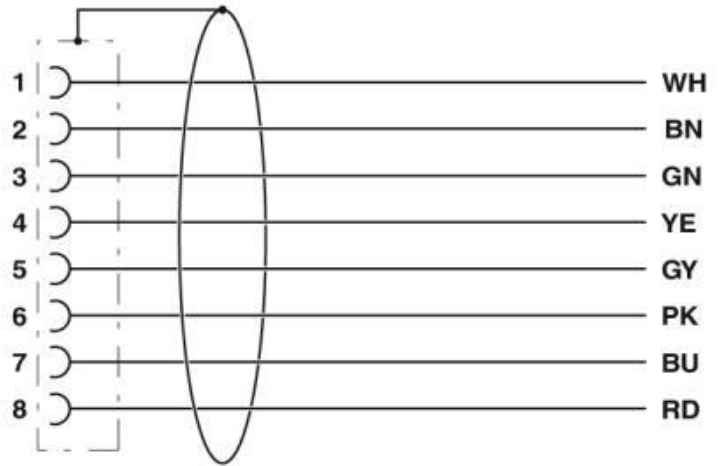
Datasheet

Sensor / Actuator cable

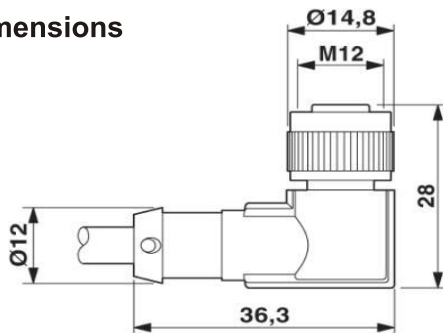
Typ: Socket angled, shielded M12



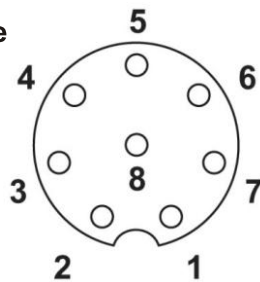
Terminal diagram



Dimensions



Poles socket view socket-side



Description

Sensor / Actuator cable,
 8-pole,
 PUR,
 halogen-free,
 black RAL 9005,
 shielded,
 insulated wire end ferrules, on socket angled M12,
 A-coded,
 cable length: 3 m

Technical data

Ambient conditions

Ambient temperature (operating state): -25 °C ... 90 °C (plug/socket)
 Protection rating: IP65/IP67

General:

Cable length: 3 m
 Rated current at 40 °C: 2 A
 Rated voltage: 30 V
 Number of contacts: 8
 Insulated resistance: >= 100 MOhm
 Coding: A - Standard
 Overvoltage category: II
 Pollution degree: 3
 Status display: no
 Insertion/withdrawal cycles: >= 100
 Torque: 0.4Nm (M12-connector)

Datasheet

Sensor / Actuator cable

Typ: Socket angled, shielded M12

Technical data

Material

Flammability rating according to UL 94:	HB
Contact material:	CuSn
Contact surface material:	Ni/Au
Contact carrier material:	TPU GF
Material of grip body:	TPU, hardly inflammable, self-extinguishing
Material, knurls:	Zinc die-cast, nickel-plated
Sealing material:	NBR

Cable

Cable type (abbreviation):	PUR
Cable abbreviation:	Li9Y11Y
Conductor cross section:	0.25 mm ²
AWG signal line:	24
Conductor structure signal line:	32x 0.10 mm
Core diameter including insulation:	1.17 mm ±0.02 mm
External cable diameter D:	5.9 mm ±0.2 mm
Wire colors:	brown, blue, white, grey, pink, red, yellow, green
Overall twist:	8 wires around filler to the core
External sheath, color:	black RAL 9005
Shielding:	Tinned copper braided shield
Optical shield covering:	85 %
Insulation resistance:	>= 1 GOhm*km (at 20 °C)
Conductor resistance:	max. 78 Ohm/km (at 20 °C)
Nominal voltage cable:	<= 300 V AC
Test voltage cable:	>= 3000 V AC
Test voltage Core/Shield:	>= 2000 V AC (for 60 s)
Outer sheath, material:	PUR
Material, conductor insulation:	PP
Conductor material::	bare Cu litz wires
Number of bending cycles:	2000000
Bending radius:	59 mm
Traversing rate:	10 m
Traversing rate:	3 m/s
Acceleration:	10 m/s ²
Special properties:	flexible cable conduit silicone-free
Flame resistance:	in accordance with UL FT-2 in accordance with UL 758/1581 (horizontal) in accordance with UL 758/1581 Ft2 in accordance with DIN EN 60332-2-2 (20 s)
Halogen-free:	in accordance with DIN VDE 0472 part 815
Other resistance:	partly UV-resistant in accordance with DIN EN ISO 4892-2-A Hydrolysis and microbe resistant
Ambient temperature (operation):	-5 °C - 80 °C (cable, flexible installation) -25 °C - 80 °C (cable, fixed installation)