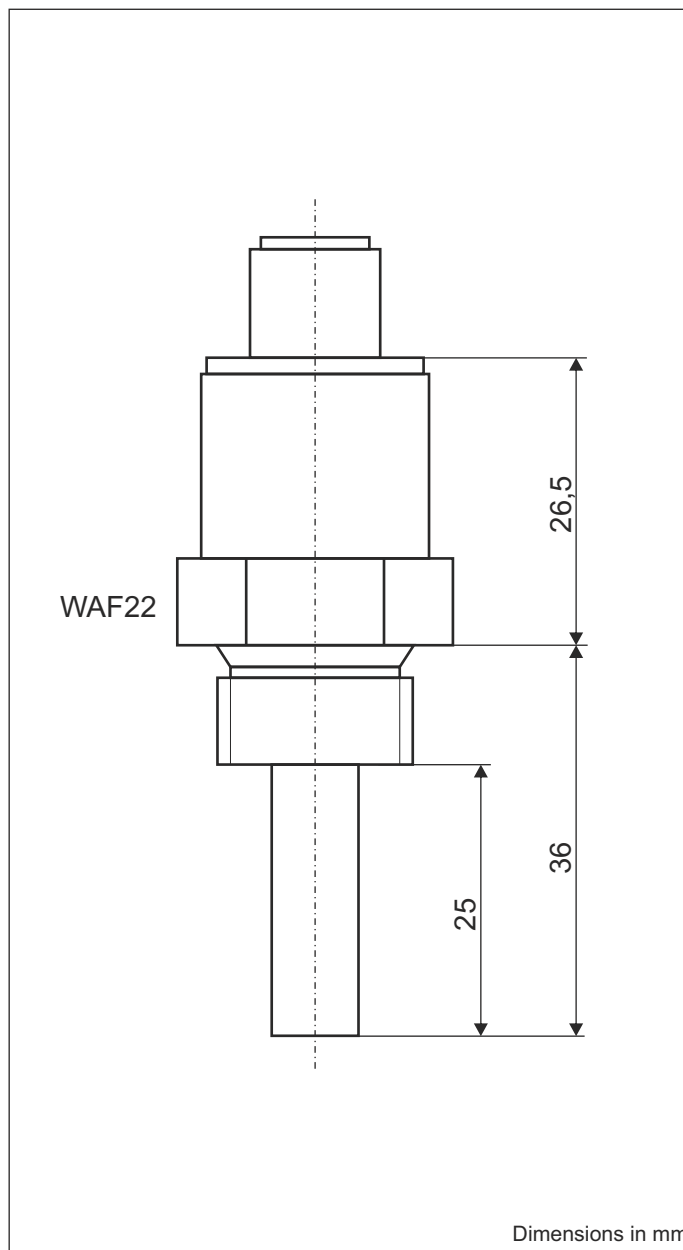


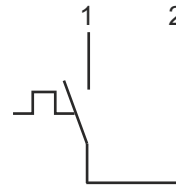
# Data sheet

## Temperature switch

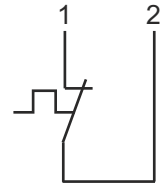
### Type: T...31...



#### Terminal diagram

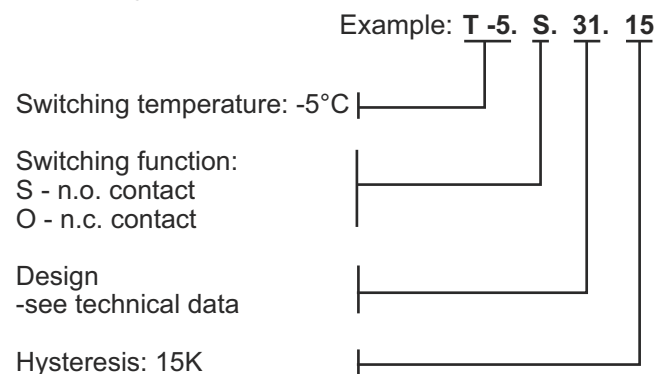


Temperature switch  
normally open contact  
24VDC/1A



Temperature switch  
normally closed contact  
24VDC/1A

#### Order key



#### Technical data

Connection:	plug-type connector M12x1 4-pole, material TPU
Mounting:	thread M18x1,5, material brass
Probe:	ø8mm, material brass
Temperature switch:	normally open contact or normally closed contact
Switching temperature:	-25°C to 100°C ±3, freely selectable
Switching hysteresis:	15K or 5K of your choice
Switching voltage:	24VDC
Switching capacity:	1A
Pressure:	max. 5bar
Operating temperature:	-20°C to 100°C in medium; -20°C to 70°C above mounting
Protection rating:	IP 65