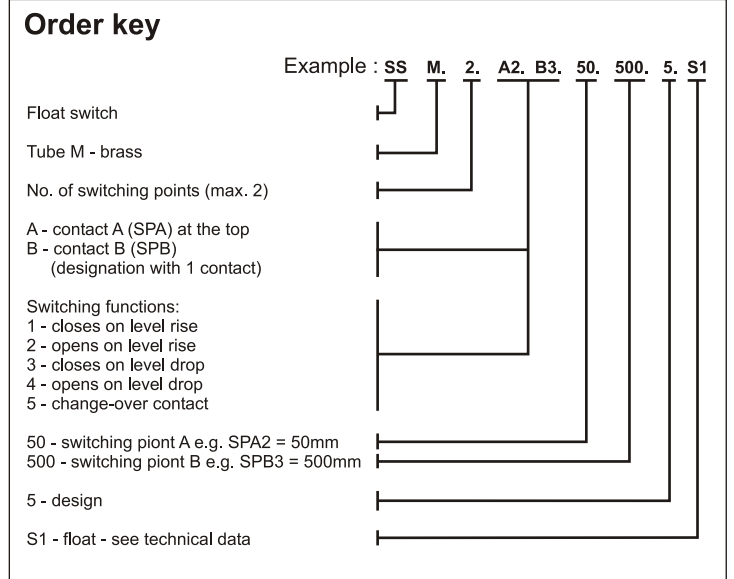
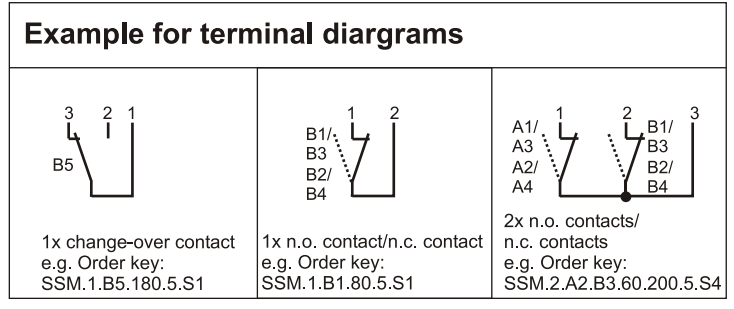
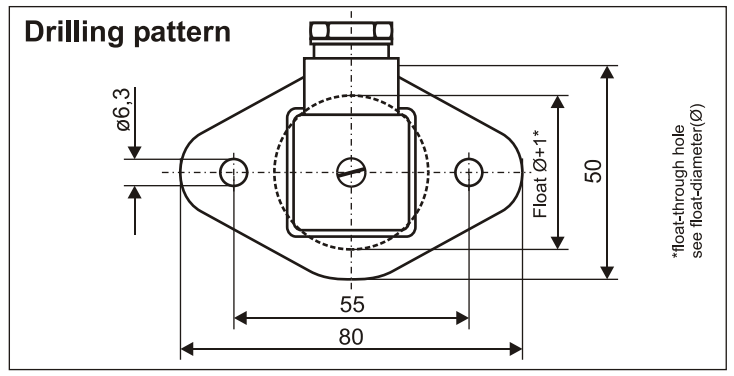
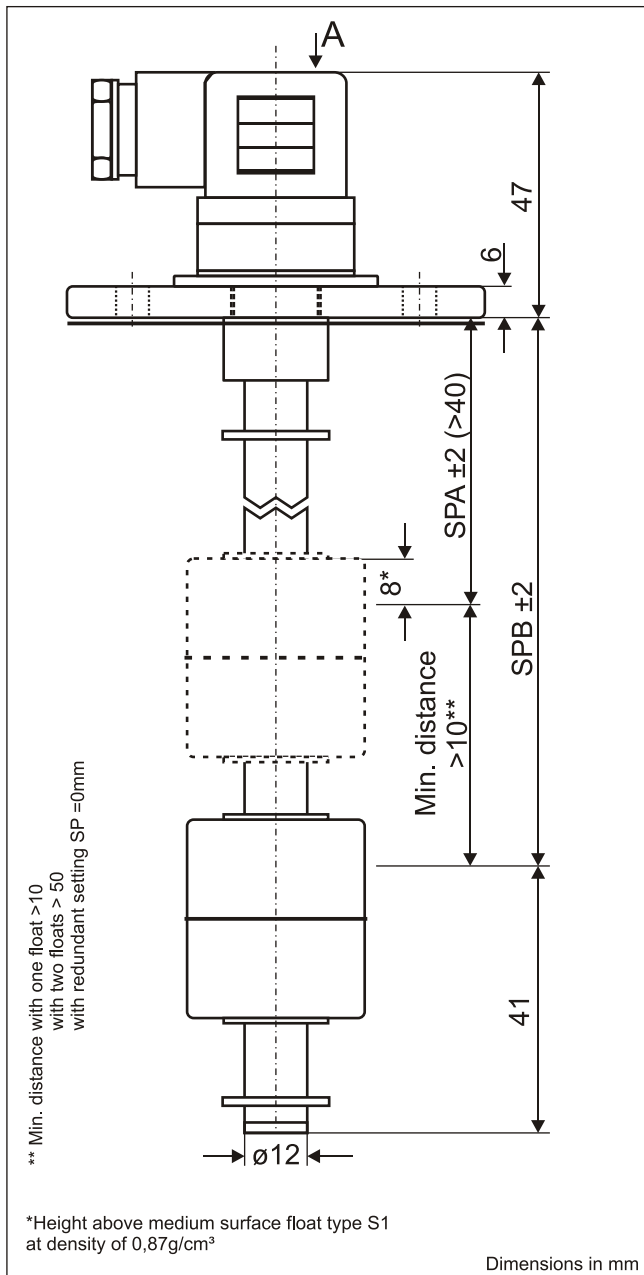


# Data sheet

## Float switch brass design 5

### Type: SSM...5...

Device with temperature sensor or temperature switch combinable,  
see also level / temperature measurement technology combined



### Technical data

|                                     |   |
|-------------------------------------|---|
| Connection:                         | plug-type connector 3 pole + PE, DIN EN 175301-803 (DIN 43650), material PA,    |
| Mounting:                           | oval flange 80x50mm, material PA  |
| Seal:                               | material NBR  |
| Tube:                               | Ø12mm, material brass, length ±1mm acc. to customer specification               |
| Float:                              | Ø35x40mm, material PP, type S1  |
| Switching points:                   | reed contacts: max. 2x n.o. contacts / n.c. contacts or 1x change-over contact, |
| Switching voltage, current, output: | 230 VAC, 1A, 60VA   |
| Pressure:                           | atmospheric   |
| Operating temperature:              | -20°C to 80°C in medium; -20°C to 70°C above mounting                           |
| Protection rating:                  | IP 65   |