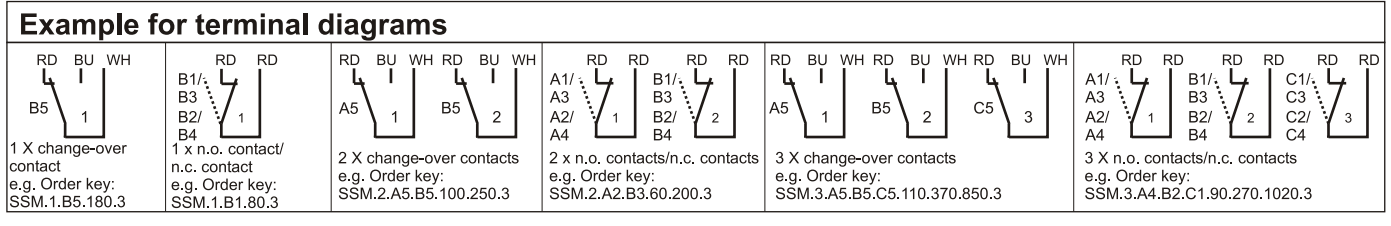
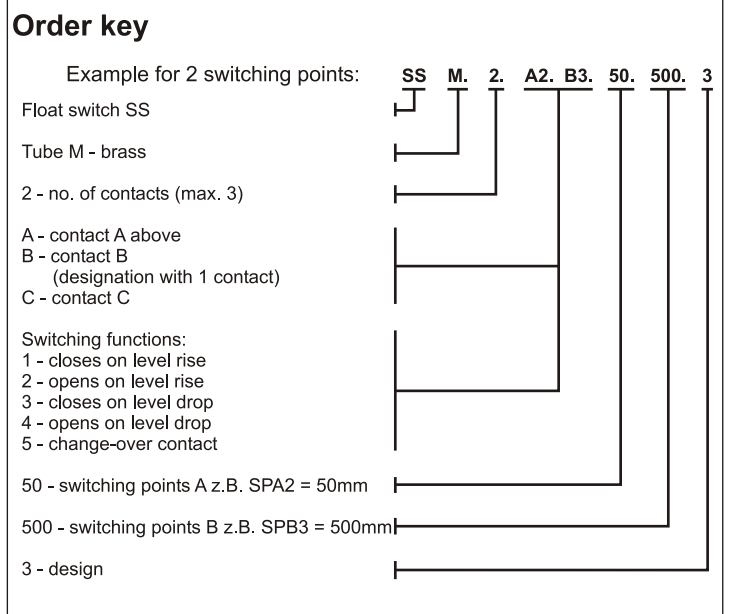
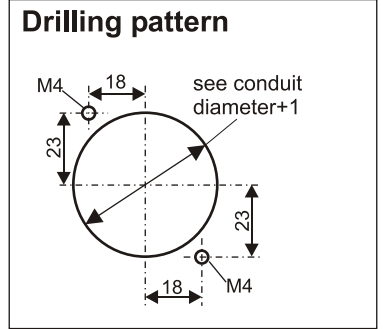
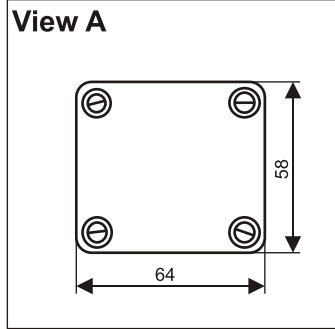
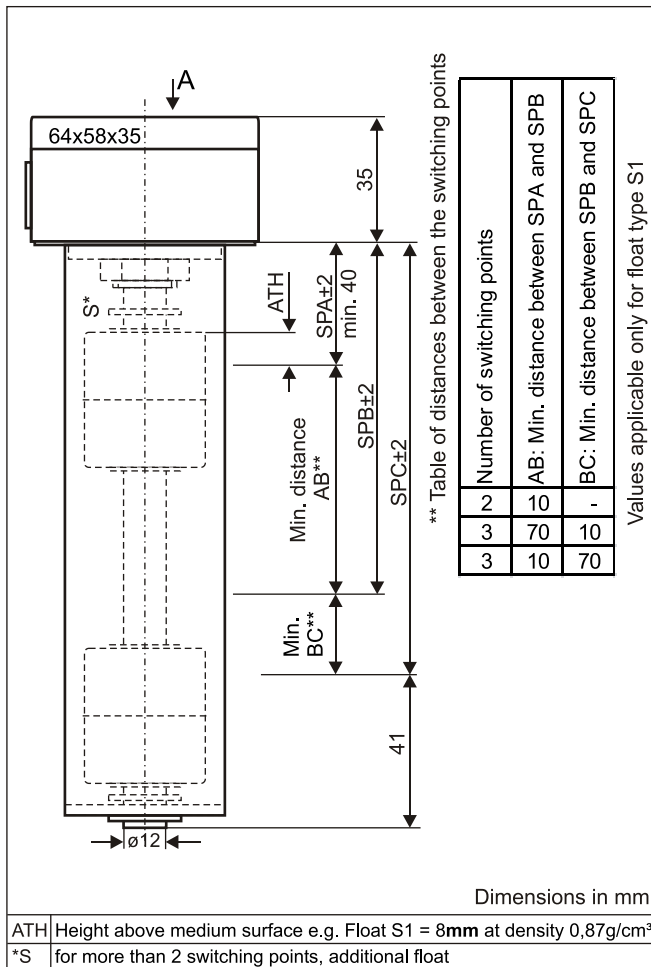


# Data sheet

## Float switch brass design 3 with conduit

### Type: SSM...3...

Device with temperature sensor or temperature switch combinable, see also level / temperature measurement technology combined



### Technical data

Connection: terminal connection 1,5mm² in the housing cable entry at the housing M16x1,5

Mounting: aluminium die-cast housing, colour grey

Seal: via housing floor - see drilling pattern

Tube: material NBR

Conduit: ∅12mm, material brass

Float: ∅35x40mm, material PP, type S1

Switching points: reed contacts, max. 3x n.o. contacts/n.c. contacts or change-over contacts, further reed contacts on demand

Switching voltage, current, output: 230 VAC, 1A, 60VA

Pressure: max. 1 bar

Operating temperature: -20°C to 80°C in medium, -20°C to 70°C above mounting

Protection rating: IP 65