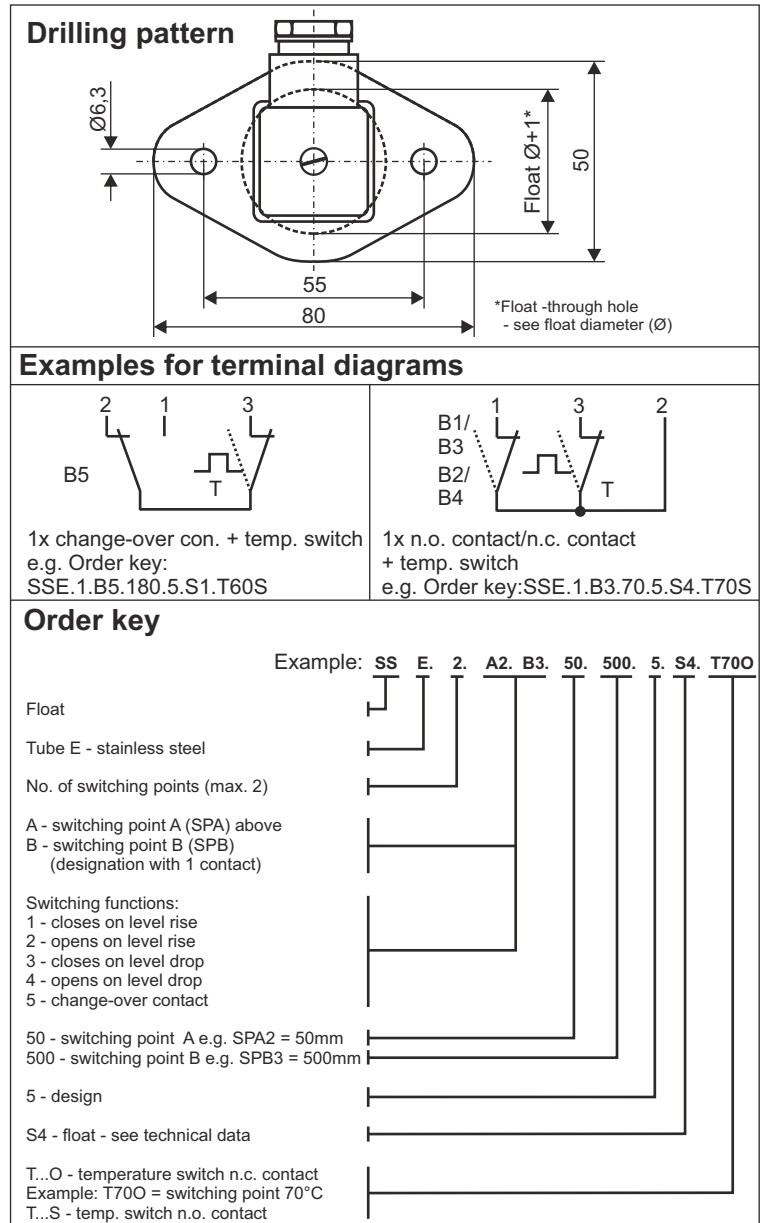
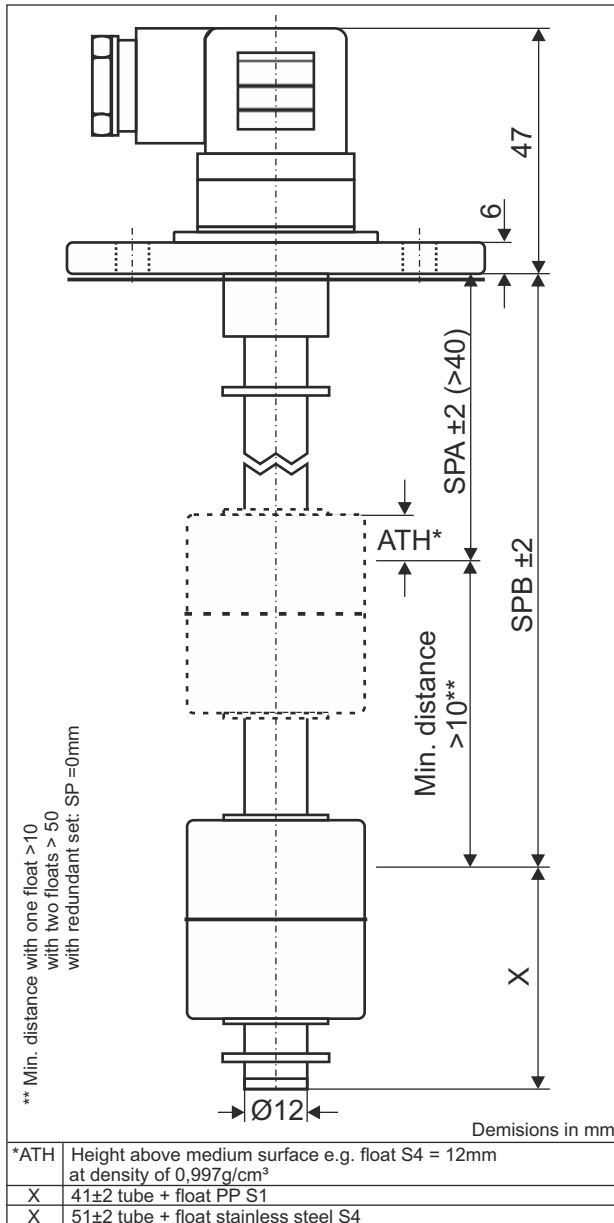


Data sheet

Float switch stainless steel design 5 in combination with temperature switch

Type: SSE...5...T...



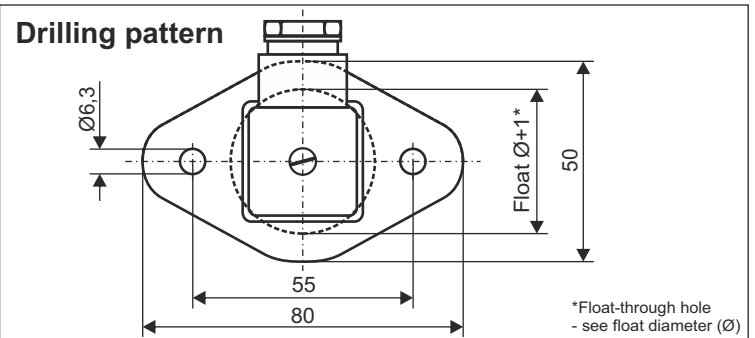
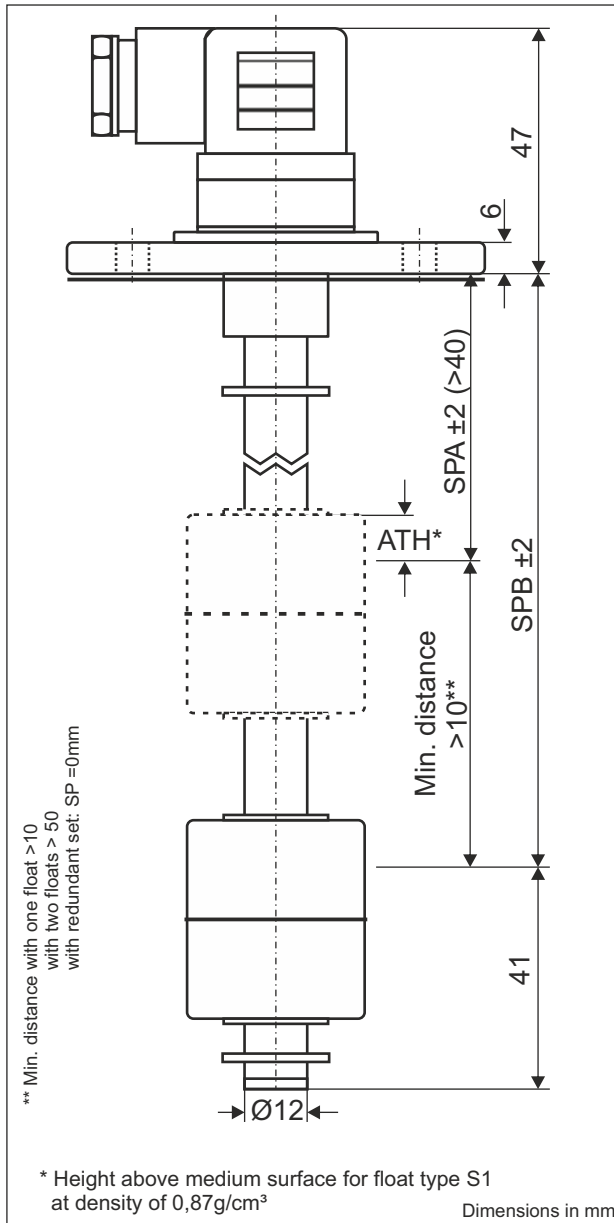
Technical data

Connection:	plug-type connector 3-pole + PE, DIN EN 175301-803 (DIN 43650), material PA
Mounting:	oval-flange 80x50mm, material PA
Seal:	material NBR
Tube:	Ø12mm, material stainless steel, length ±1mm acc. to customer specification
Float:	Ø35x40mm, material PP, type S1 Ø45x52mm, material stainless steel 1.4571, type S4
Switching points:	reed contacts, max. 1x n.o. contact/n.c. contact or 1x change-over contact,
Temperature switch:	bimetal, switching function: n.o. contact/n.c. contact temperature range: 60°C to 140°C precision: ±5°C, smaller tolerances on request reset-temperature: temp.-switching point -30°C ±15°C
Switching voltage, current, capacity:	230 VAC, 1A, 60VA
Pressure:	max. 1 bar, with stainless steel float max. 25bar
Operating temperature:	-20°C to 100°C in medium; (-20°C to 80°C in medium with PP float) -20°C to 70°C above mounting (with stainless steel float)
Protection rating:	IP 65

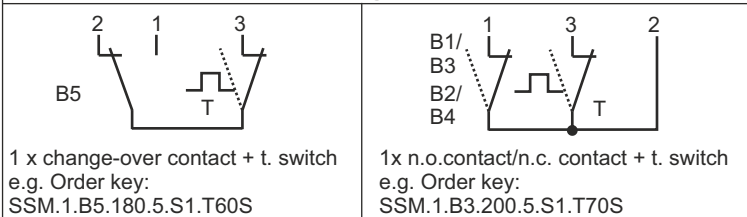
Data sheet

Float switch brass design 5 in combination with temperature switch

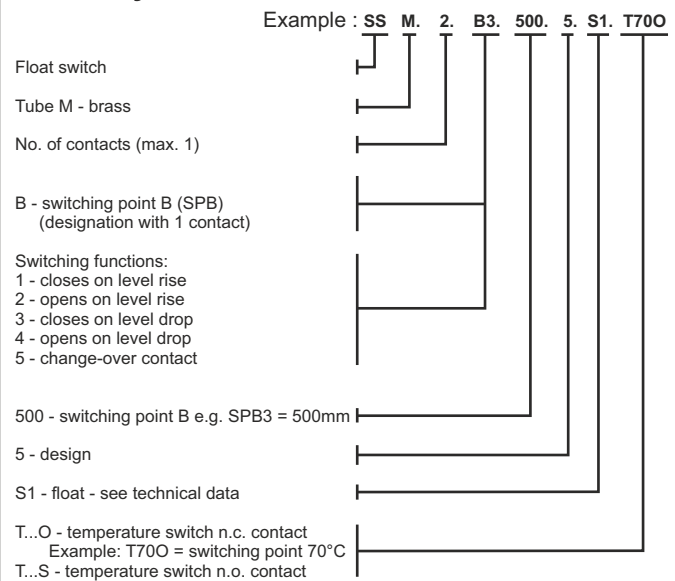
Type: SSM...5...T...



Examples for terminal diagrams



Order key



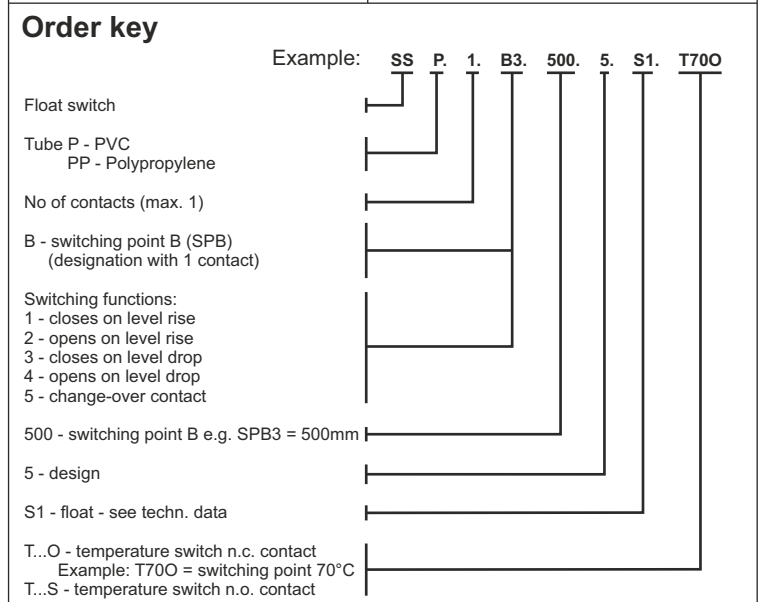
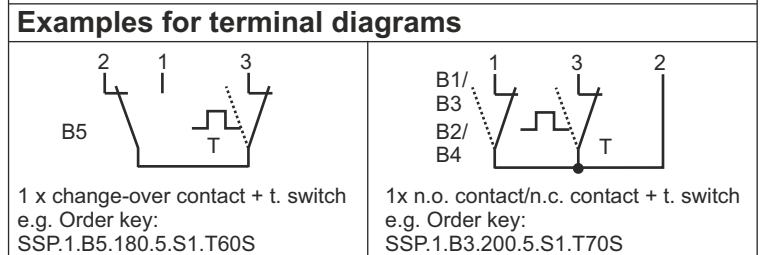
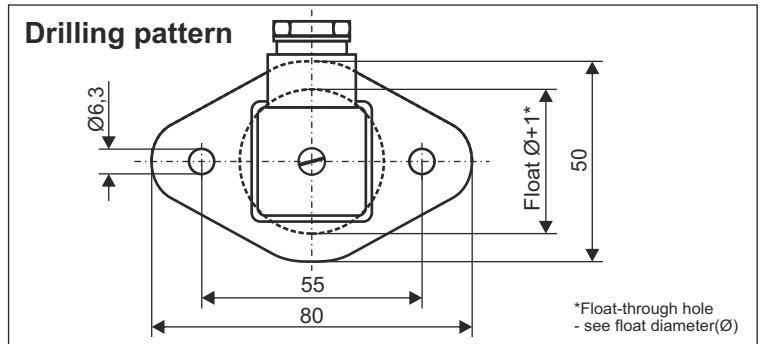
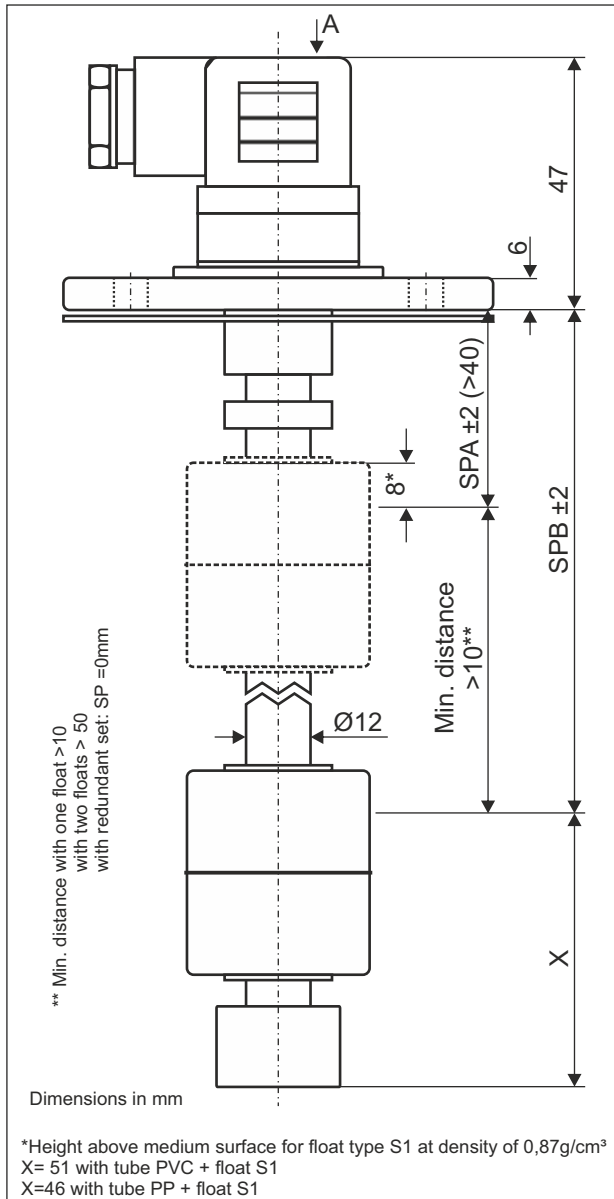
Technical data

Connection:	plug-type connector 3-pole + PE, DIN EN 175301-803 (DIN 43650), material PA
Mounting:	oval-flange 80x50mm, material PA
Seal:	material NBR
Tube:	$\varnothing 12$ mm, material brass, length ± 1 mm acc. to customer specification
Float:	$\varnothing 35 \times 40$ mm, material PP, type S1
Switching points:	reed contacts, max. 1x n.o. contact/n.c. contact or 1x change-over contact
Temperature switch:	bi-metal, switching function: n.c. contact / n.o. contact temperature range: 60°C to 140°C precision: $\pm 5^\circ\text{C}$, smaller tolerances on request reset-temperature: temp.-switching point $-30^\circ\text{C} \pm 15^\circ\text{C}$
Switching voltage, current, capacity:	230 VAC, 1A, 60VA
Pressure:	atmospheric
Operating temperature:	-20°C to 80°C in medium; -20°C to 70°C above mounting
Protection rating:	IP 65

Data sheet

Float switch plastic design 5 in combination with temperature switch

Type: SS...5...T



Technical data	
Connection:	plug-type connector 3-pole + PE, DIN EN 175301-803 (DIN 43650), material PA
Mounting:	oval-flange 80x50mm, material PA
Seal:	material NBR
Tube:	Ø12mm, material PVC or PP, length ±1mm acc. to customer specification
Float:	Ø35x40mm, material PP, type S1 Ø40x40mm, material PP, type S2 Ø40x27mm, material PP, type S3
Switching points:	reed contacts, max. 1x n.o. contact/n.c. contact or 1x change-over contact
Temperature switch:	bi-metal, switching function: n.o. contact/n.c. contact temperature range: 60°C to 80°C, further on request precision: ±5°C, smaller tolerances on request reset-temperature: temp.-switching point -30°C ±15°C
Switching voltage, current, capacity	230 VAC, 1A, 60VA
Pressure:	atmospheric
Operating temperature:	-10°C to 60°C in medium; -20°C to 70°C above mounting (with PVC) -10°C to 80°C in medium; -20°C to 70°C above mounting (with PP)
Protection rating:	IP 65 <i>Subject to change</i>