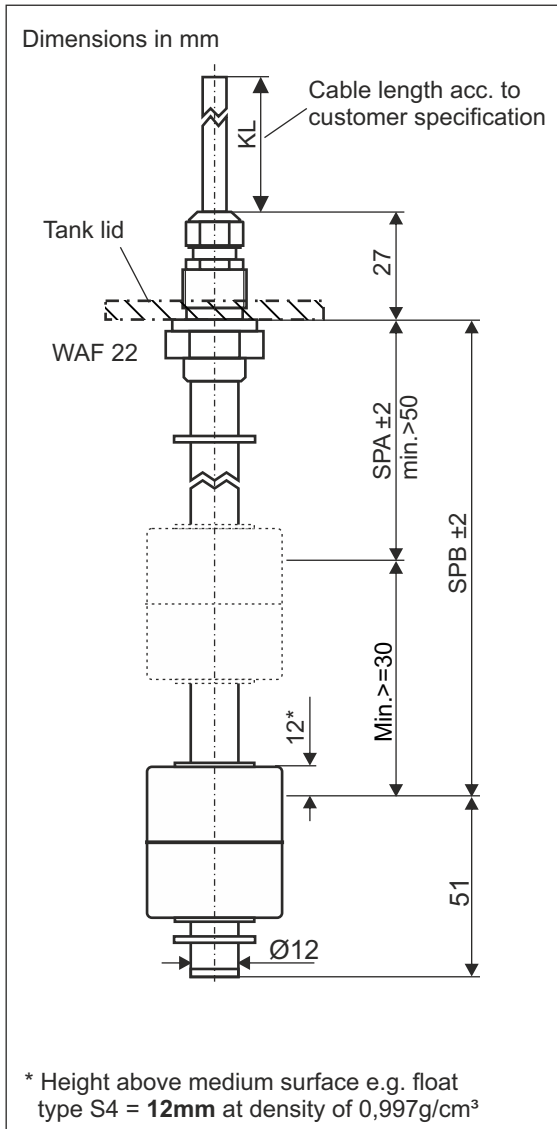


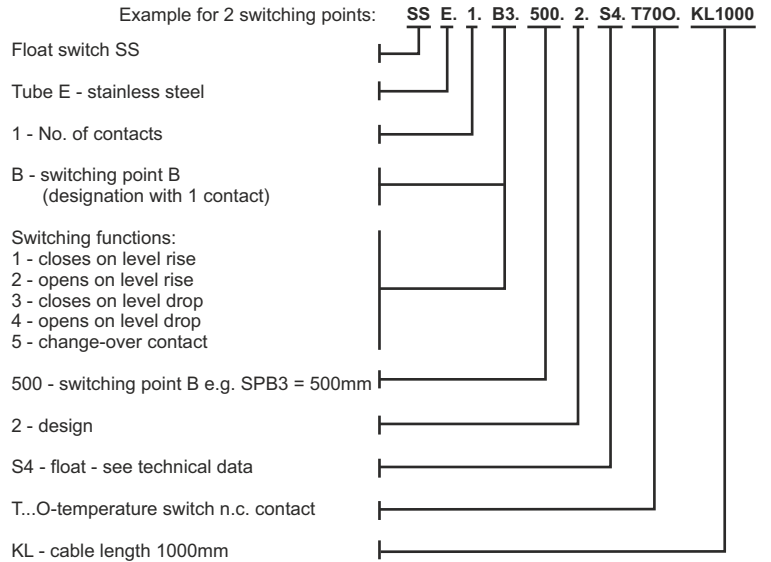
# Data sheet

## Float switch stainless steel design 2 in combination with temperature switch

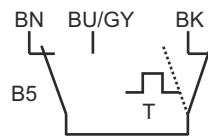
### Type: SSE...2...T



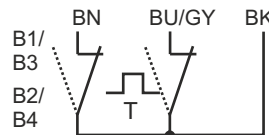
#### Order key



#### Terminal diagrams



1 x change-over contact +  
temperature switch  
e.g. Order key:  
SSE.1.B5.180.2.S4.T60S



1 x n.o. contact/n.c. contact +  
temperature switch  
e.g. Order key:  
SSE.1.B3.200.2.S4.T70S

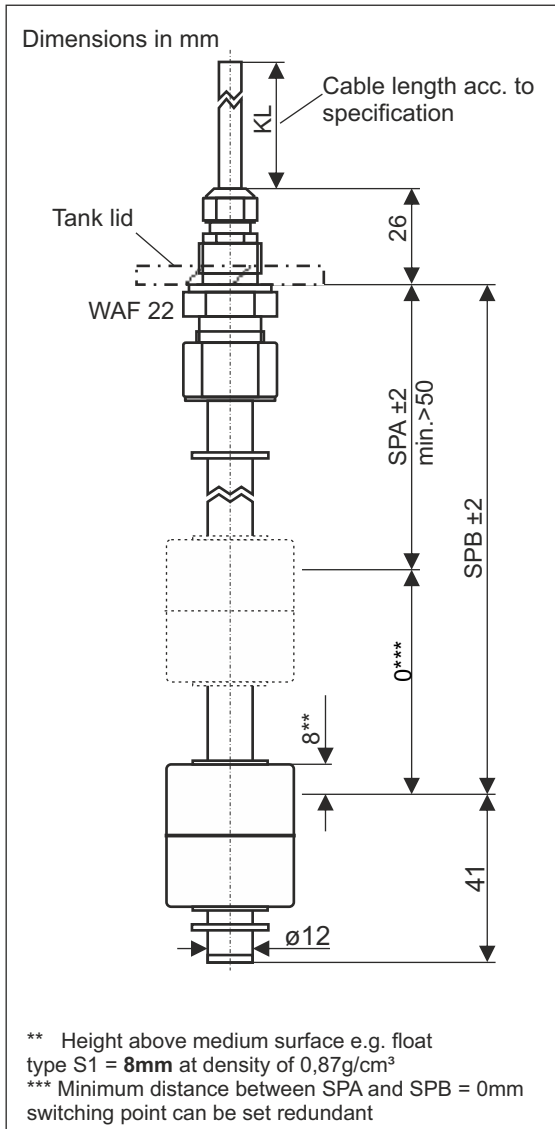
#### Technical data

Connection:	standard: oil resistant cable, other cables on demand, cable length acc. to customer specification, cable over cable entry M10x1.5
Mounting:	thread R3/8", material stainless steel 1.4571
Tube:	Ø12mm, length L±1mm acc. to specification, material stainless steel 1.4571
Float:	Ø35x40mm, material PP, type S1 Ø45x52mm, material stainless steel 1.4571, type S4 Ø52mm, material stainless steel 1.4571, type S7
Switching point:	reed contacts: max. 1x n.o. contact / n.c. contact or change-over contact
Temp. switching point (TP):	switching function: n.c. contact, standard-switching point 60°C to 80°C; other TP on demand, precision ±5°C, smaller tolerances on request reset-temperature = TP -30°C ±15°C
Switching capacity:	max. 24 VDC / 150mA
Pressure:	max. 1 bar, with stainless steel float max. 25bar
Operating temperature:	-20°C to 80°C in medium, -20°C to 70°C above mounting (with PP float) -20°C to 100°C in medium, -20°C to 70°C above mounting (with stainless steel float)
Protection rating:	IP 65

# Data sheet

## Float switch brass design 2 in combination with temperature switch

### Type: SSM...2...T



### Order key

Example for 2 switching points: **SS M. 1. B3. 500. 2. S1. T700. KL1000**

Float switch SS

Tube M - brass

1 - No. of contacts (max.1)

B - switching point B  
(designation with 1 contact)

Switching functions:

- 1 - closes on level rise
- 2 - opens on level rise
- 3 - closes on level drop
- 4 - opens on level drop
- 5 - change-over contact

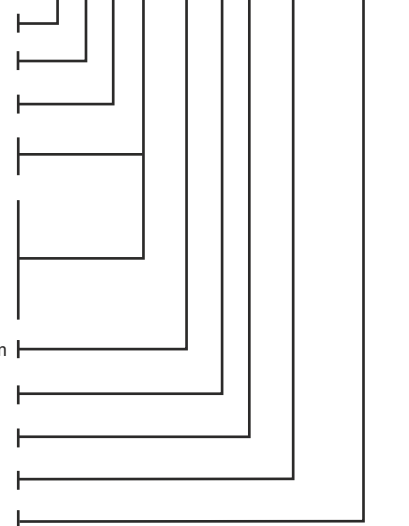
500 - switching point B e.g. SPB3 = 500mm

2 - design

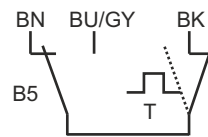
S1 - float - see technical data

T...O-temperature switch n.c. contact

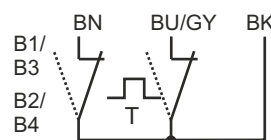
KL - cable length 1000mm



### Terminal diagrams



1 x change-over contact  
+ temp. switch  
e.g. Order key:  
SSM.1.B5.180.2.S1.T60S



1 x n.o. contact/n.c. contact  
+ temp. switch  
e.g. Order key:  
SSM.1.B3.200.2.S1.T70S

### Technical data

Connection:	standard: oil-resistant cable, other cable on demand cable length acc. to customer specification, cable over cable entry
Mounting:	thread R3/8", material brass
Tube:	∅12mm, Länge L±1mm according to specification, material brass
Float:	∅35x40mm, material PP, type S1 ∅40x40mm, material PP, type S2 ∅40x30mm, material PP, type S3 ∅45x52mm, material stainless steel 1.4571, type S4
Switching points:	reed contacts: max. 1x n.o. contact/n.c. contact or change-over contact
Temp.switching point (TP):	switching function: n.c. contact, standard-switching point 60°C to 80°C; other TP on demand, precision ±5°C, smaller tolerances on request reset-temperature = TP -30°C ±15°C
Switching capacity:	max. 24 VDC / 150mA
Pressure:	max. 1 bar
Operating temperature:	-20°C to 80°C in medium, -20°C to 70°C above mounting
Protection rating:	IP 65