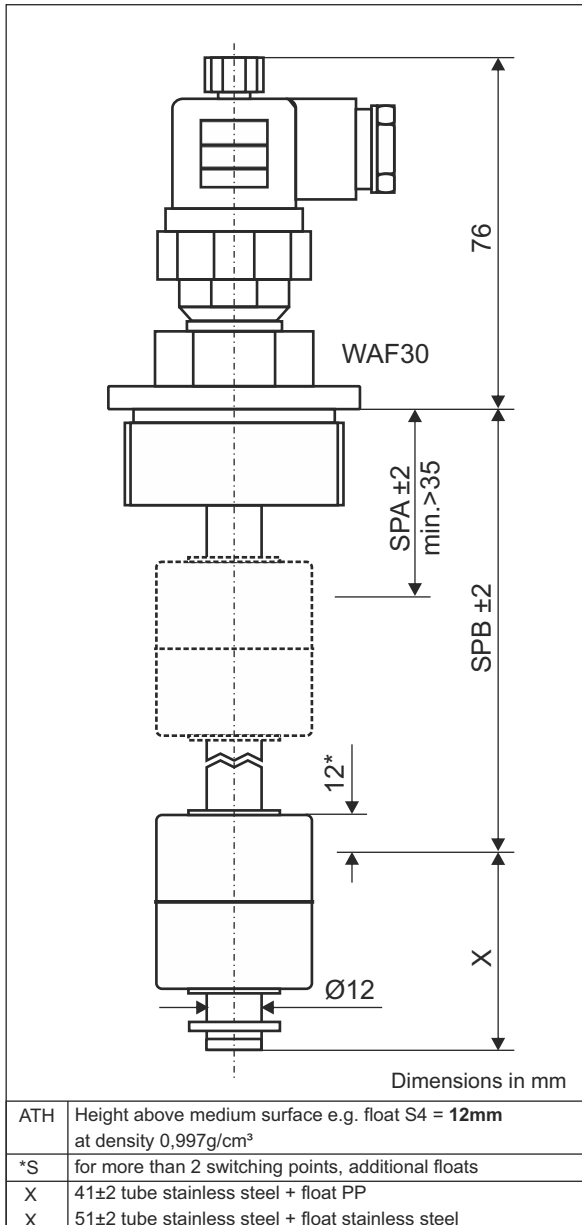


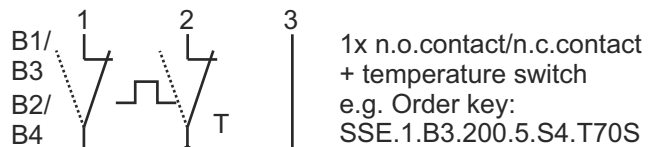
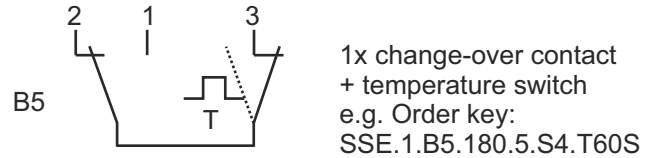
# Data sheet

## Float switch stainless steel design 26 in combination with temperature switch

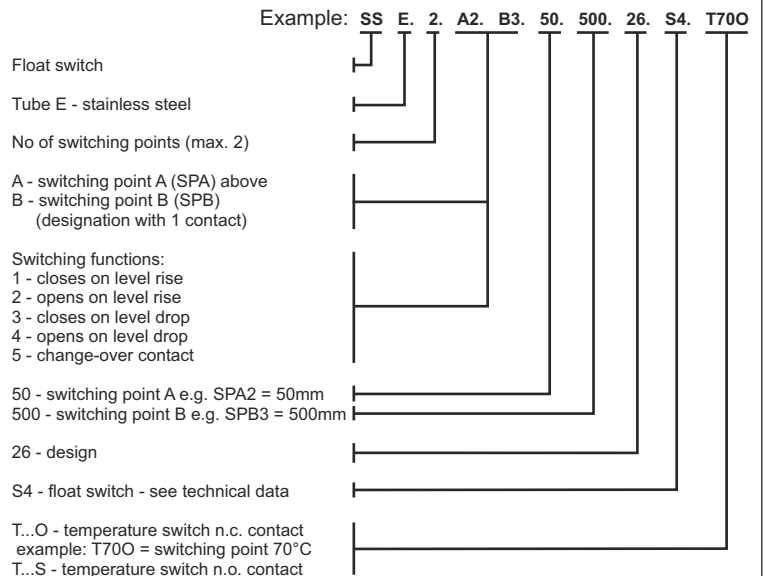
### Type: SSE...26...T



### Terminal diagrams



### Order key



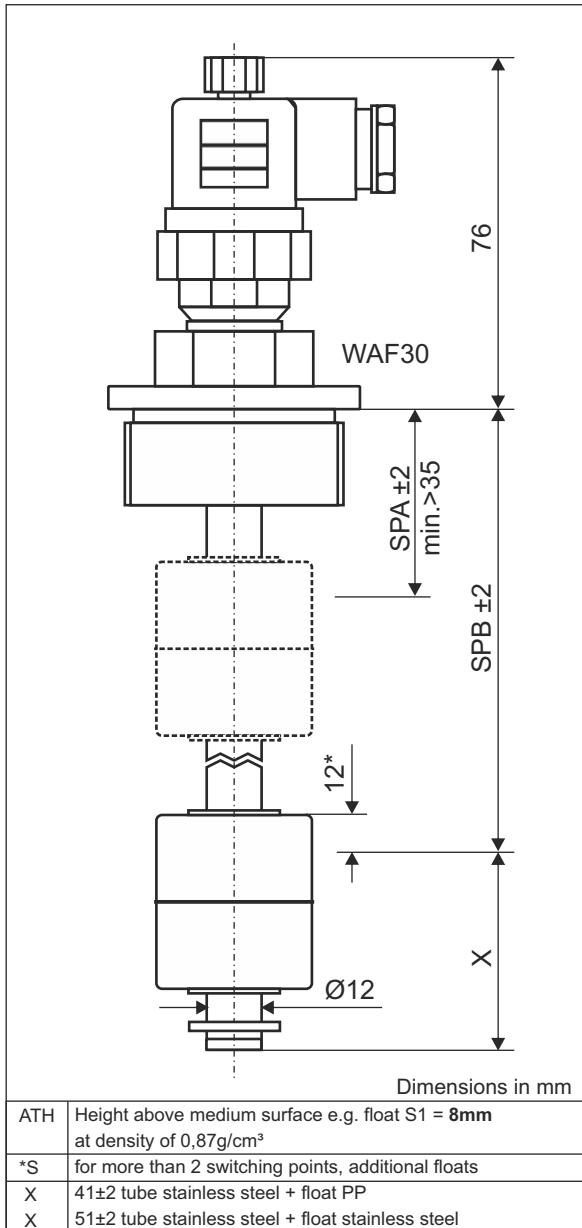
### Technical data

Connection:	right-angled connector 3-pole + PE DIN EN 175301-803 (DIN 43650), material PA
Mounting:	thread 1 1/2", material stainless steel
Tube:	Ø12mm material stainless steel
Float:	Ø35x40mm, material PP, type S1 Ø45x52mm, material stainless steel, type S4
Switching points:	reed contacts: max. 2x normally open contact / normally closed contact or 1x change-over contact
Temperature switch:	bi-metal, switching function: normally open contact / normally closed contact temperature range: 60°C to 140°C precision: ±5°C, smaller tolerances on request reset-temperature: temperature switching point -30°C ±15°C
Switching capacity:	max. 230 VAC / 1A / 60VA
Pressure:	max. 1 bar, with stainless steel float max. 25bar
Operating temperature:	-20°C to 80°C in medium, -20°C to 70°C above mounting (with PP float) -20°C to 100°C in medium, -20°C to 70°C above mounting (with stainless steel float)
Protection rating:	IP 65

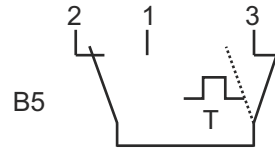
# Data sheet

## Float switch brass design 26 in combination with temperature switch

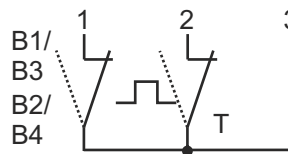
### Type: SSM...26...T



#### Terminal diagram

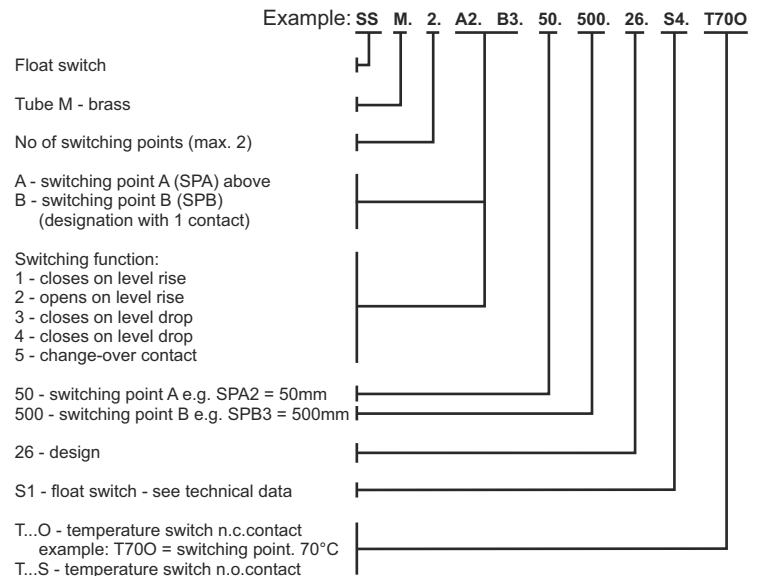


1 x change-over contact  
+ temperature switch  
e.g. Order key:  
SSM.1.B5.180.5.S1.T60S



1x n.o. contacts/n.c. contacts  
+ temperature switch  
e.g. Order key:  
SSM.1.B3.200.5.S1.T70S

#### Order key



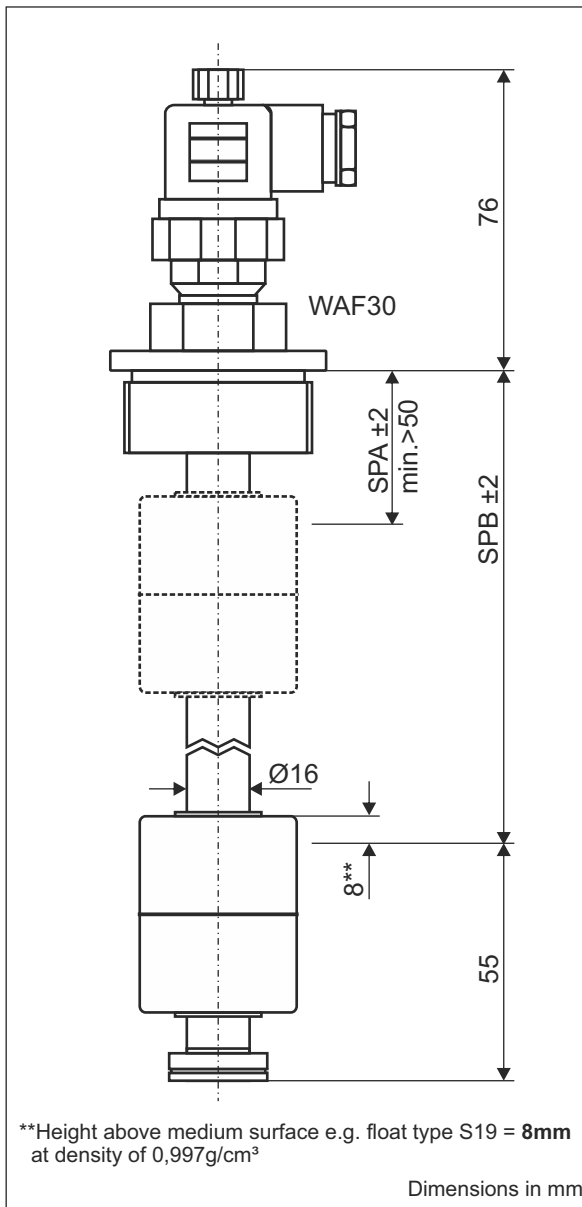
#### Technical data

Connection:	right-angled connector 3-pole + PE DIN EN 175301-803 (DIN 43650), material PA
Mounting:	thread 1 1/2", material alu
Tube:	Ø12mm material brass
Float:	Ø35x40mm, material PP, type S1 Ø45x52mm, material stainless steel, type S4
Switching points:	reed contacts: max. 2x normally open contact / normally closed contact or 1x change-over contact
Temperature switch:	bi-metal, switching function: normally open contact / normally closed contact temperature range: 60°C to 140°C precision: ±5°C, smaller tolerances on request reset-temperature: temperature switching point -30°C ±15°C
Switching capacity:	max. 230 VAC / 1A / 60VA
Pressure:	max. 1 bar
Operating temperature:	-20°C to 80°C in medium, -20°C to 70°C above mounting
Protection rating:	IP 65

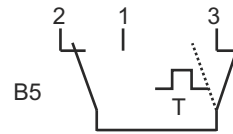
# Data sheet

## Float switch plastic design 26 in combination with temperature switch

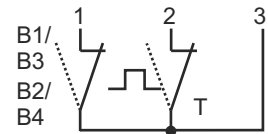
### Type: SSPF...26...T



#### Terminal diagrams



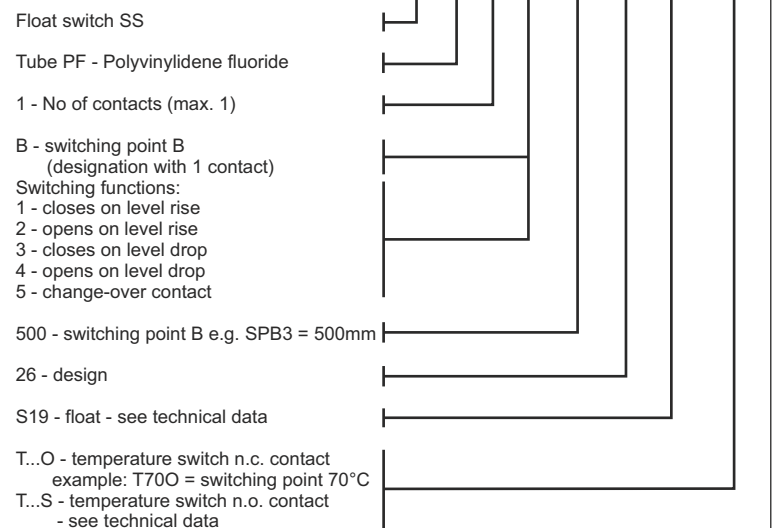
1x change-over contact+Temp.switch  
e.g. Order key:  
SSPF.1.B5.180.26.S19.T60S



1x n.o. contact/n.c. contact+temp. switch  
e.g. Order key:  
SSPF.1.B3.200.26.S19.T70S

#### Order key

Example for 1 switching point: **SS PF. 1. B3. 500. 26. S19. T700**



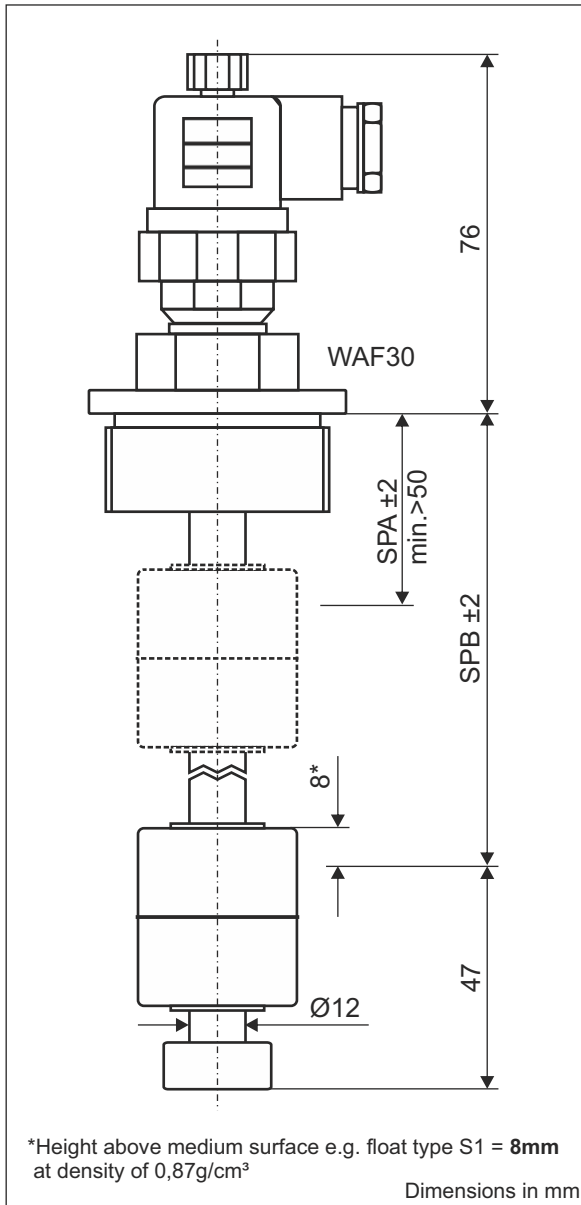
#### Technical data

Connection:	right-angled connector 3-pole + PE DIN EN 175301-803 (DIN 43650), material PA
Mounting:	thread 1 1/2", material PVDF
Tube:	Ø16mm material PVDF
Float:	Ø41x50mm, material PVDF, type S19
Switching points:	reed contacts: max. 1x n.o. contact / n.c. contact or 1x change-over contact
Temperature switch:	bi-metal, switching function: n.c. contact / n.o. contact temperature range: 60°C to 140°C precision: ±5°C, smaller tolerances on request reset-temperature: Temp.-switching point -30°C ±15°C
Switching capacity:	max. 230 VAC / 1A / 60VA
Pressure:	max. 1 bar, with stainless steel float max. 25bar
Operating temperature:	-20°C to 100°C in medium, -20°C to 70°C above mounting
Protection rating:	IP 65

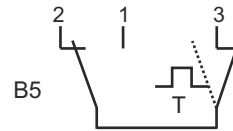
# Data sheet

## Float switch plastic design 26 in combination with temperature switch

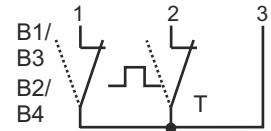
### Type: SSPP...26...T



### Terminal diagrams



1x change-over contact+temp. switch  
e.g. Order key:  
SSPP.1.B5.180.26.S1.T60S



1x n.o. contact/n.c. contact+temp. switch  
e.g. Order key:  
SSPP.1.B3.200.26.S1.T70S

### Order key

Example for 1 switching point: **SS PP. 1. B3. 500. 26. S1. T700**

Float switch SS

Tube PP - polypropylene

1 - No of contacts (max. 1)

B - switching point B  
(designation with 1 contact)

Switching functions:

- 1 - closes on level rise
- 2 - opens on level rise
- 3 - closes on level drop
- 4 - opens on level drop
- 5 - change-over contact

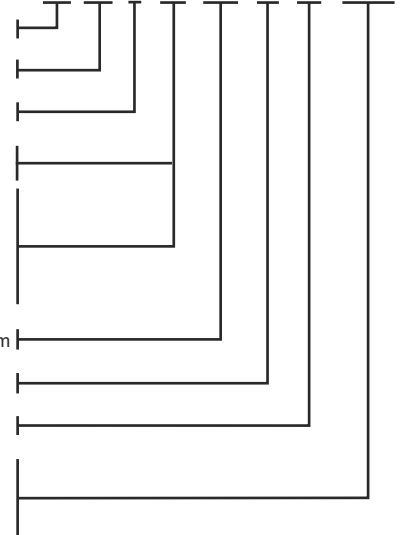
500 - switching point B e.g. SPB3 = 500mm

26 - design

S1 - float - see techn. data

T...O - temperature switch n.c. contact  
example: T700 = switching point 70°C

T...S - temperature switch n.o. contact  
- see techn. Data



### Technical data

Connection:	right-angled connector 3-pole + PE DIN EN 175301-803 (DIN 43650), material PA
Mounting:	thread 1 1/2", material PP
Tube:	Ø12mm Material PP
Float:	Ø35x40mm, material PP type S1 Ø40x40mm, material PP, type S2 Ø40x30mm, material PP, type S3
Switching points:	reed contacts: max. 1x n.o. contact / n.c. contact or 1x change-over contact
Temperature switch:	bi-metal, switching function: n.c. contact/n.o. contact temperature range: 60°C to 140°C precision: ±5°C, smaller tolerances on request reset-temperature: Temp.-switching point -30°C ±15°C
Switching capacity:	max. 230 VAC / 1A / 60VA
Pressure:	max. 1 bar
Operating temperature:	-20°C to 80°C in medium, -20°C to 70°C above mounting
Protection rating:	IP 65