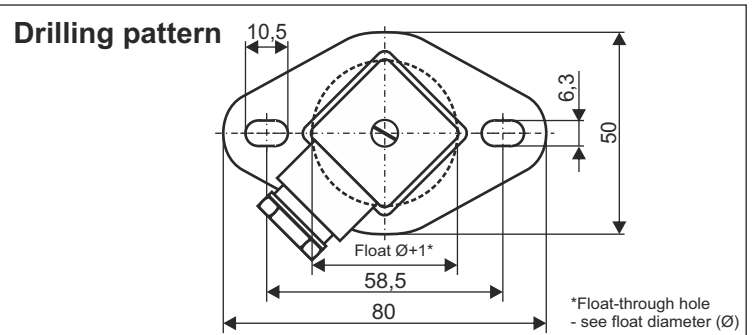
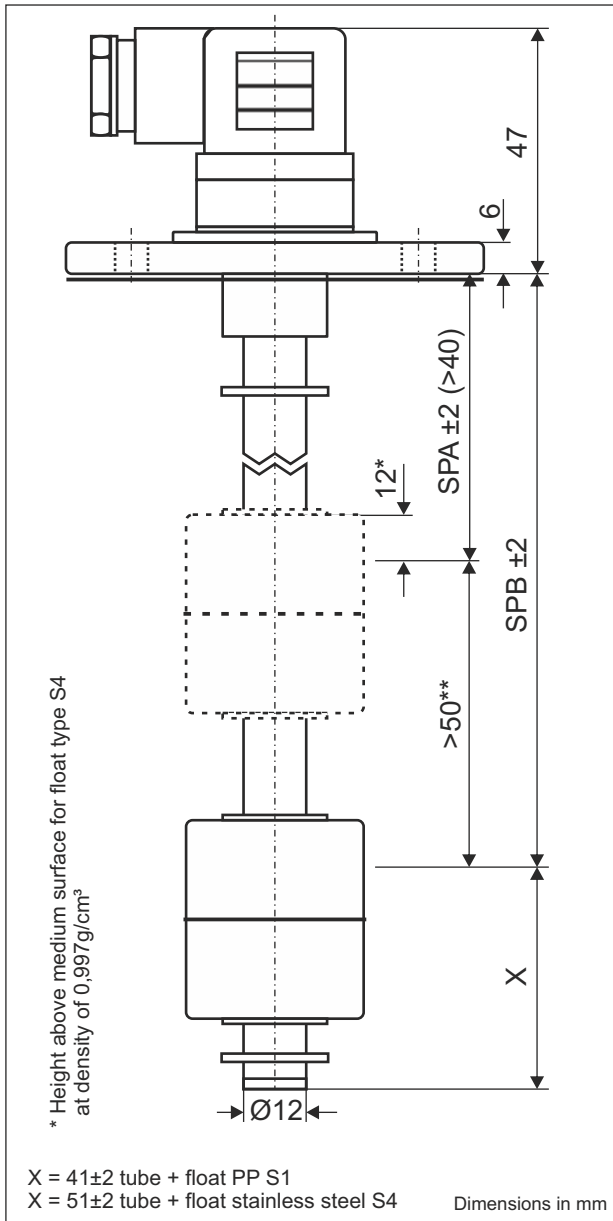


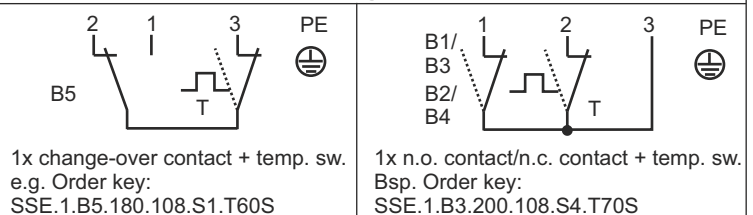
Data sheet

Float switch stainless steel design 108 in combination with temperature switch

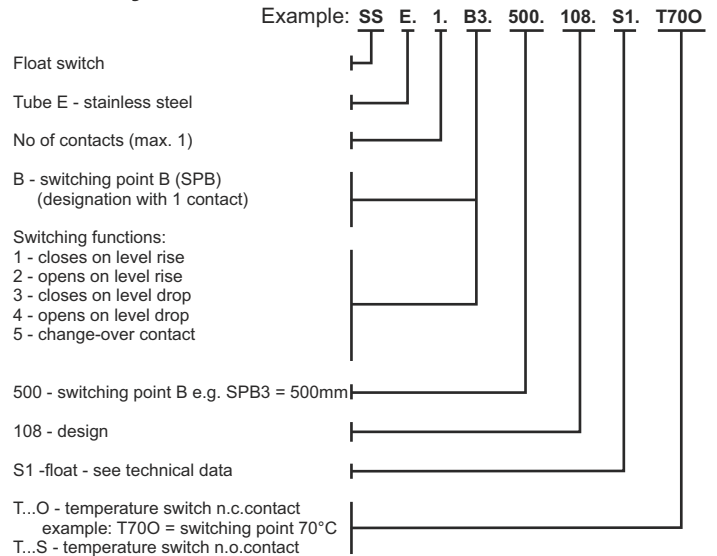
Type: SSE...108...T



Examples for terminal diagrams



Order key



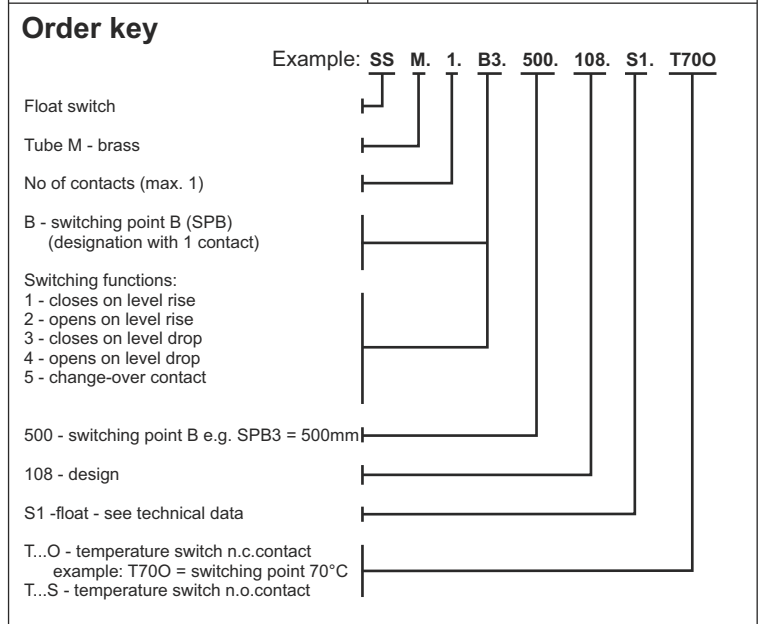
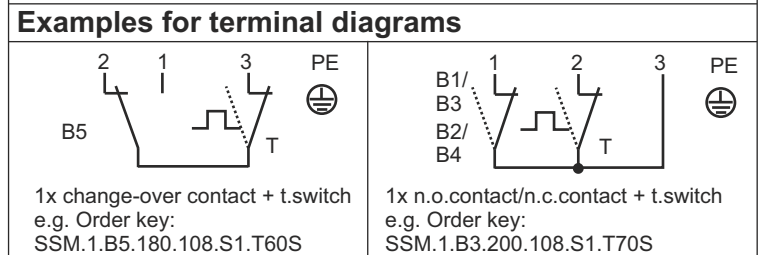
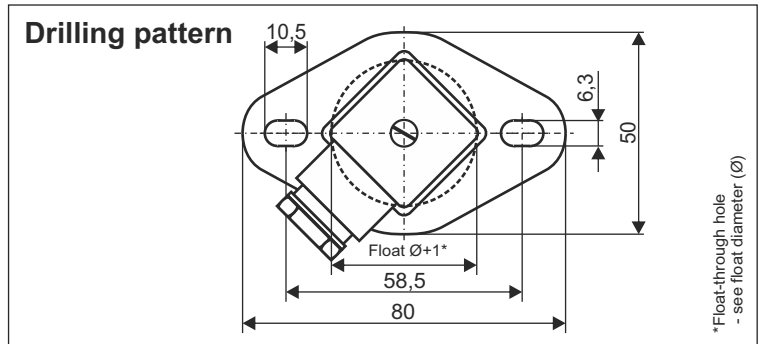
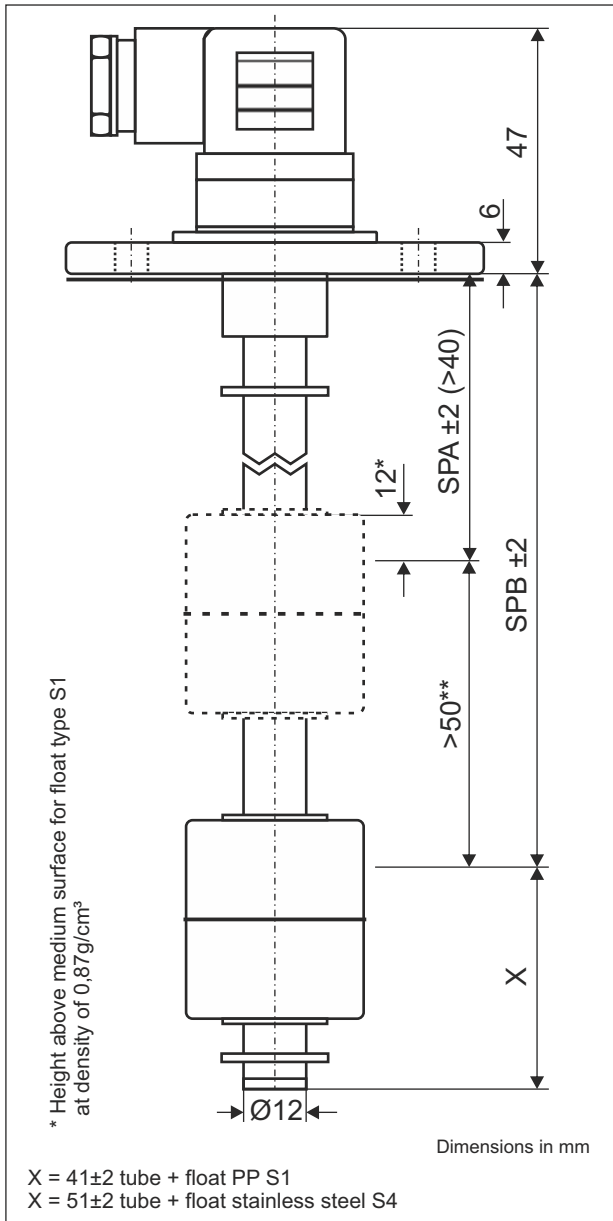
Technical data

| | |
|------------------------|----------------------------------------------------------------------------------------------------------------------------------------------------------------------------------------------------------------------------------------------------------------------------------|
| Connection: | plug-type connector 3-pole + PE, DIN EN 175301-803 (DIN 43650), material PA |
| Mounting: | oval flange 80x50mm with slot hole, material PA |
| Seal: | material NBR |
| Tube: | $\varnothing 12\text{mm}$, material stainless steel, length $\pm 1\text{mm}$ acc. to customer specification |
| Float: | $\varnothing 35 \times 40\text{mm}$ material PP, type S1 $\varnothing 45 \times 52\text{mm}$ material stainless steel 1.4571, type S4 |
| Switching points: | reed contacts, max. 1x n.o. contact/n.c. contact or 1x change-over contact |
| Temperature switch: | bi-metal, switching function: n.o. contact/n.c. contact temperature range: 60°C to 140°C precision: $\pm 5^\circ\text{C}$, smaller tolerances on request reset-temperature: temp.-switching point $-30^\circ\text{C} \pm 15^\circ\text{C}$ |
| Switching capacity: | 230 VAC, 1A, 60VA |
| Pressure: | max. 1 bar, with stainless steel float max. 25bar |
| Operating temperature: | -20°C to 100°C in medium, -20°C to 70°C above mounting (with stainless steel float) -20°C to 80°C in medium, -20°C to 70°C above mounting (with PP float) |
| Protection rating: | IP 65 |

Data sheet

Float switch brass design 108 in combination with temperature switch

Type: SSM...108...T



| Technical data | |
|------------------------|-------------------------------------------------------------------------------------------------------------------------------------------------------------------------------------------------------|
| Connection: | plug-type connector 3-pole + PE, DIN EN 175301-803 (DIN 43650), material PA |
| Mounting: | oval-flange 80x50mm with slot hole, material PA |
| Seal: | material NBR |
| Tube: | Ø12mm, material brass, length ±1mm acc. to customer specification |
| Float: | Ø35x40mm material PP, type S1 Ø45x52mm material stainless steel 1.4571, type S4 |
| Switching points: | reed contacts, max. 1x n.o. contact/n.c. contact or 1x change-over contact |
| Temperature switch: | bi-metal, switching function: n.o. contact/n.c. contact temperature range: 60°C to 140°C precision: ±5°C, smaller tolerances on request reset-temperature: temp.-switching point -30°C ±15°C |
| Switching capacity: | 230 VAC, 1A, 60VA |
| Pressure: | atmospheric |
| Operating temperature: | -20°C to 80°C in medium, -20°C to 70°C above mounting |
| Protection rating: | IP 65 |

Subject to change