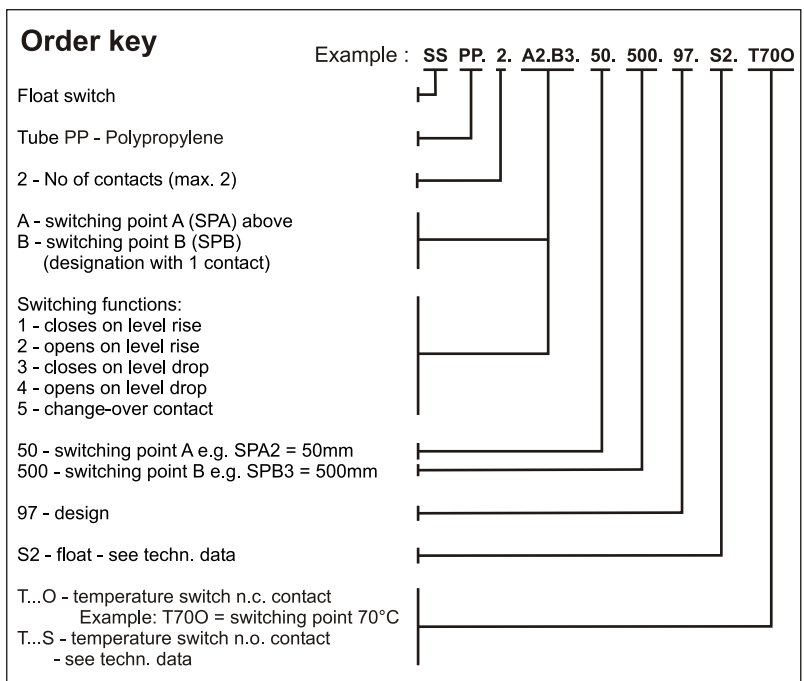
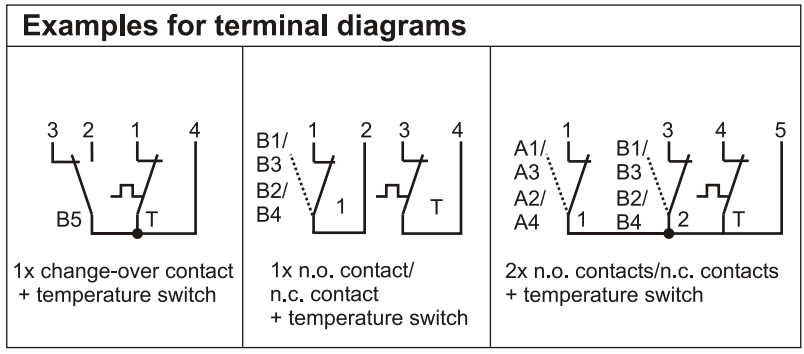
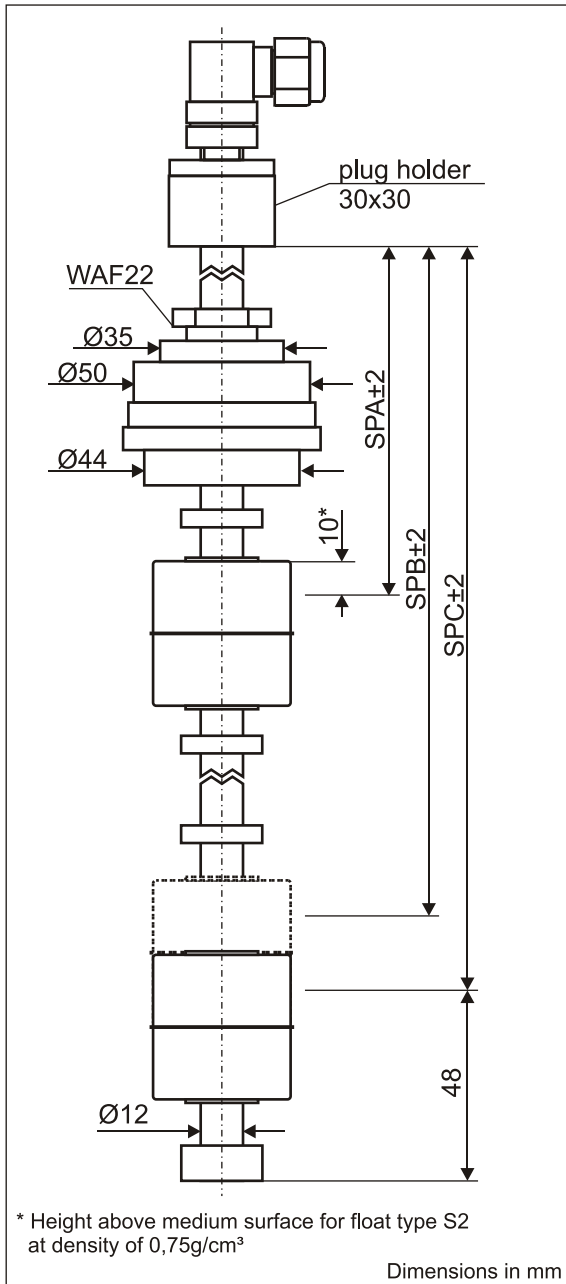


# Data sheet

## Float switch plastic design 97 in combination with temperature switch

### Type: SSPP....97.S2.T...



Technical data	
Connection:	plug-type connector M12x1, 5-pole, material PA
Mounting:	Mounting insert with depth adjustment, material PP
Tube:	Ø12mm material PP
Float:	Ø40x40mm, material PP, type S2
Switching points:	reed contacts max. 2x n.o. contact/n.c. contact or 1x change-over contact
Temperature switch:	bi-metal, switching function: n.o. contact/n.c. contact temperature range: 60°C to 80°C, further on request precision: ±5°C, smaller tolerances on request reset-temperature: temp.-switching point -30°C ± 15°C
Switching capacity:	24 VDC / 150mA / 3,6W
Pressure:	max. 2 bar
Operating temperature:	-20°C to 80°C in medium, -20°C to 70°C above mounting
Protection rating:	IP 65