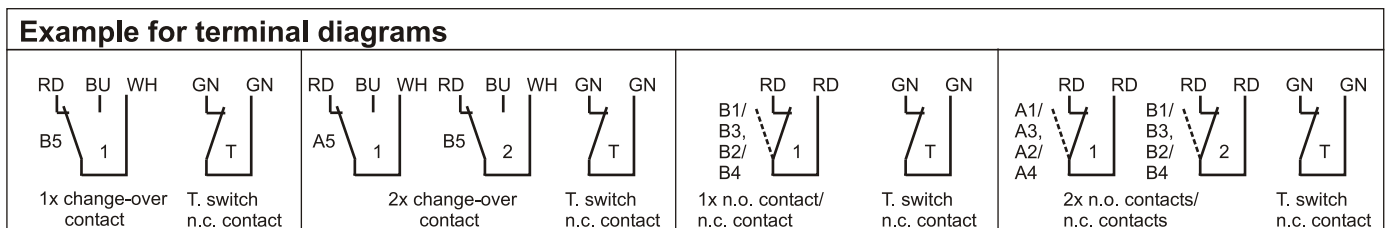
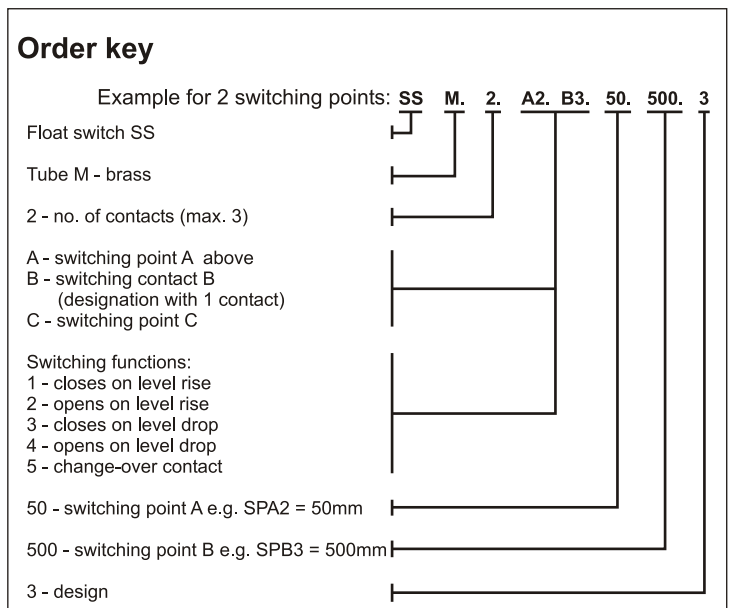
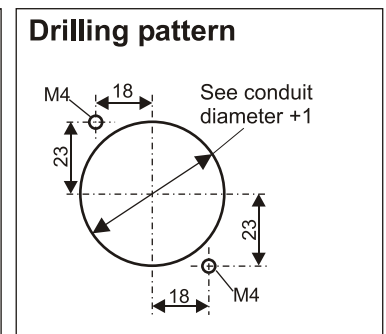
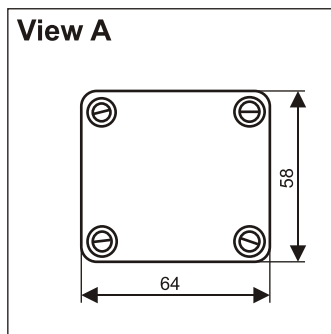
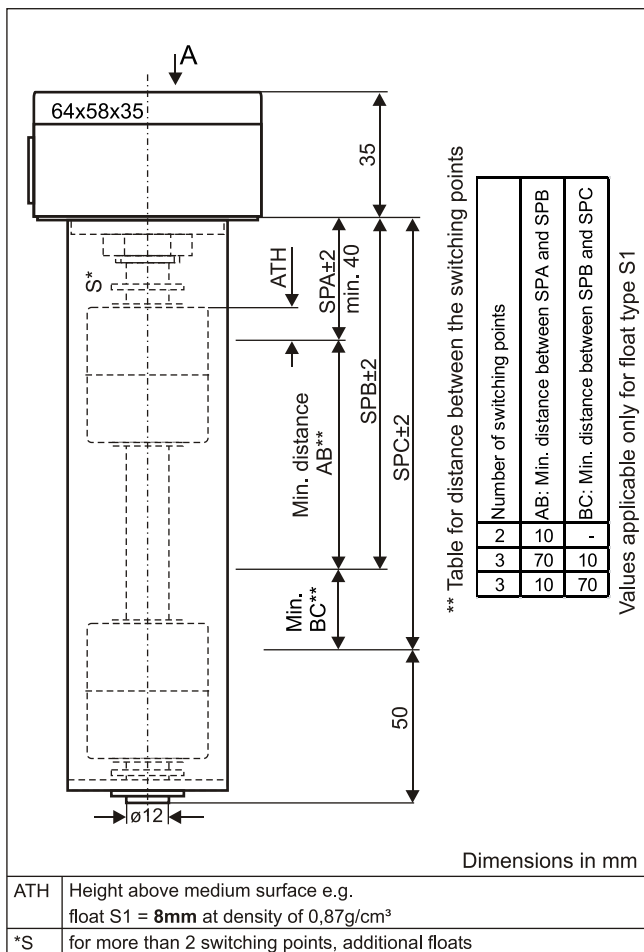


# Data sheet

## Float switch brass design 3 with conduit in combination with temperature switch

### Type: SSM...3...T



### Technical data

Connection:	terminal connection 1.5 mm <sup>2</sup> in the housing, cable entry at the housing M16x1.5
Mounting:	housing material alu, colour grey
Seal:	via housing floor - see drilling pattern
Tube:	material NBR
Conduit:	Ø12mm, material brass
Float:	Ø35x40mm, material PP, type S1
Level switching points:	reed contacts, max. 3x n.o. contacts/n.c. contacts or change-over contact,
Temp. switching points(TP):	switching function: n.c. contact, standard-switching point (TP) 60°C to 80°C, further on demand; precision±5°C, smaller tolerances on request; reset temperature = TP -30°C ±15°C
Switching voltage, current, capacity:	230 VAC, 1A, 60VA
Pressure:	max. 1 bar
Operating temperature:	-20°C to 80°C in medium, -20°C to 70°C above mounting
Protection rating:	IP 65