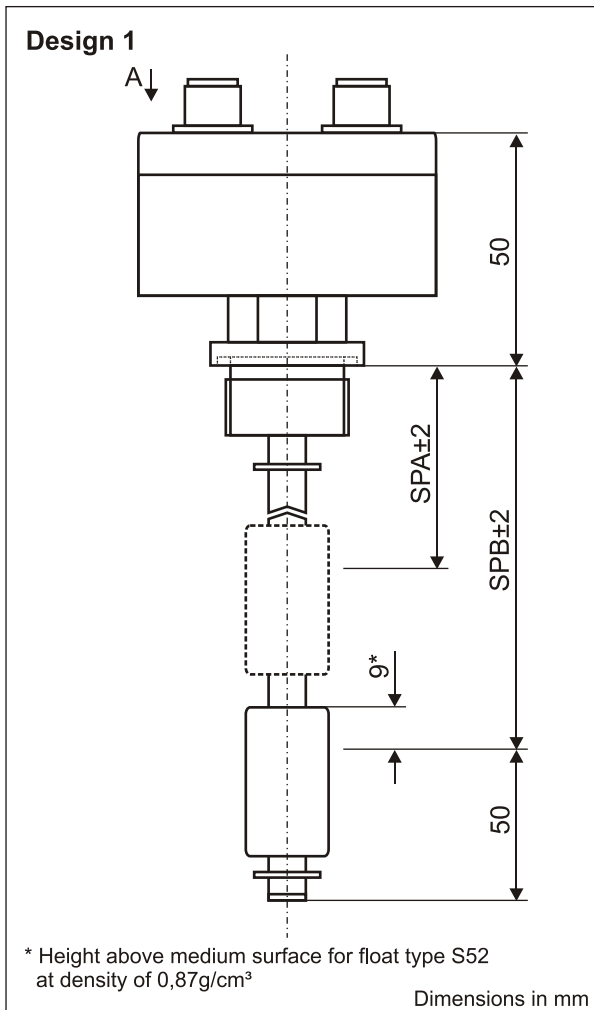


Data sheet

Float switch with temperature analogue output

Type: S110L...



Order key

Float switch
 PT100 with 0 ... 10V sensor

A- switching point A above
 B- switching point B
 (designation with 1 contact)

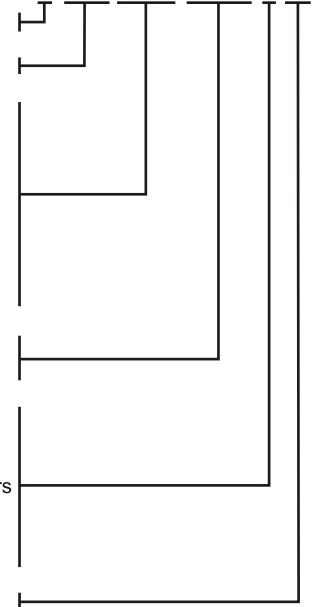
Switching functions:
 1 - closes on level rise
 2 - opens on level rise
 3 - closes on level drop
 4 - opens on level drop
 5 - change-over contact

50 - switching point SPA e.g. 50mm
 500 - switching point SPB e.g. 500mm

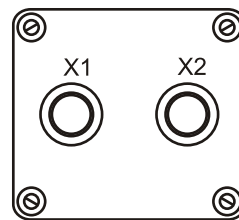
Design
 1 = with alu housing, 2x plug-type connector for level and temperature
 3 = with alu housing, 2x right-angled connectors for level and temperature
 6 = with alu round housing, 1x plug-type connector for level and temperature

Float

Example: S. 110L. A4.B4. 50.500. 3. S1

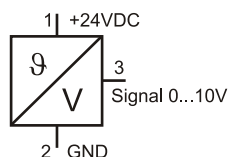


View A

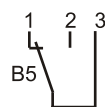


Terminal diagrams

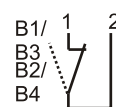
Temperature X2



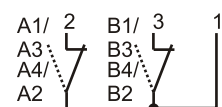
Level X1



1 x change-over contact
 e.g. order key:
 S.110L.B5.50.3.S1



1 x n.o. contact/n.c. contact
 e.g. order key:
 S.110L.B1.50.3.S1



2 x n.o. contacts/n.c. contacts
 e.g. order key:
 S.110L.A2.B4.50.500.3.S1

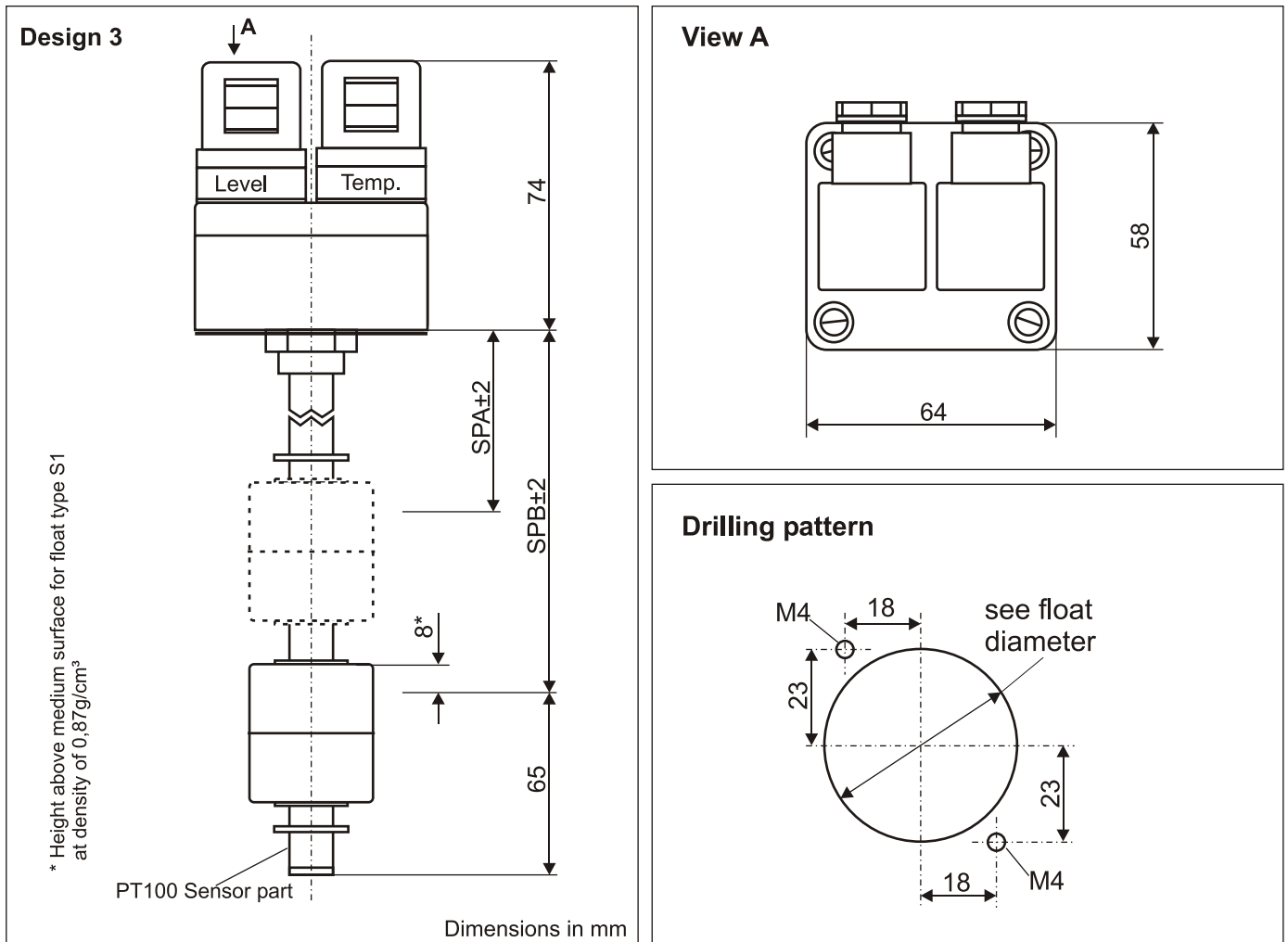
Technical data

Housing:	64x58x35mm (hwxwd) material alu
Connection level:	plug-type connector M12x1 5-pole, material TPU, alu
Connection temperature:	plug-type connector M12x1 5-pole, material TPU, alu
Mounting:	thread 3/4", material alu
Seal:	profil seal, material NBR
Tube:	ø8mm, material brass
Float:	ø17,8x32mm, material NBR, type S52
Level switching points:	reed contacts max. 2x normally open/closed contact or change-over contact
Level switching capacity:	24VDC/150mA
Output signal temperature:	0 to 10V at 0°C to 100°C
Output load:	>20 kOhm
Supply voltage:	24VDC ±15%, reverse polarity protected
Pressure:	max. 1 bar
Operating temperature:	-20°C to 80°C in medium; -20°C to 70°C above mounting
Protection rating:	IP 65

Data sheet

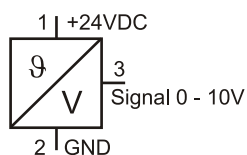
Float switch with temperature analogue output

Type: S110L...

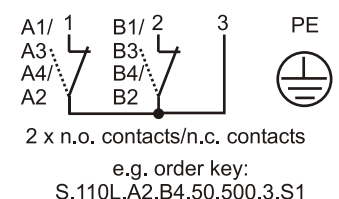
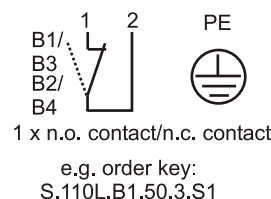
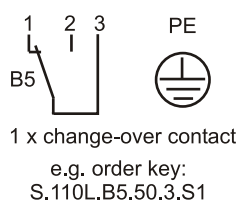


Terminal diagrams

Temperature



Level



Technical data

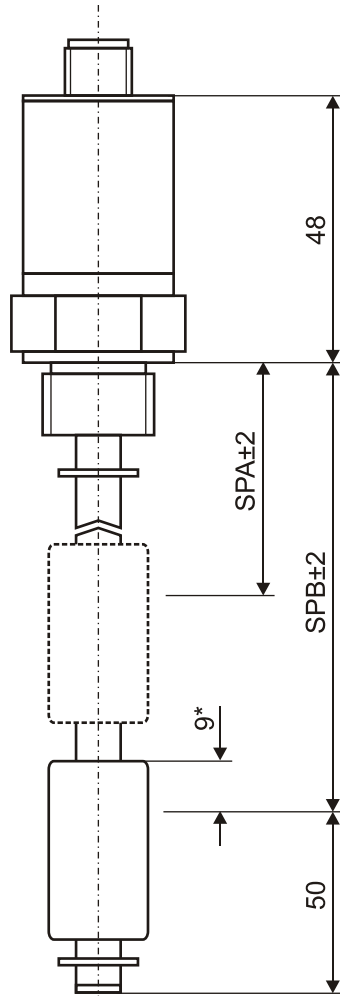
Housing:	64x58x35mm (hwxwd) Material alu
Connection level:	plug-type connector 3-pole+PE DIN EN 175301-803 (DIN 43650), material PA
Connection temperature:	plug-type connector 3-pole+PE DIN EN 175301-803 (DIN 43650), material PA
Mounting:	via housing floor - see drilling pattern
Seal:	material NBR
Tube:	ø12mm, material brass - further on request
Float:	ø35x40mm, material PP, type S1
Level switching points:	reed contacts max.2 n.c. / n.o. contact or change-over contact
Level switching capacity:	230VAC / 1A / 60VA
Output signal temperature:	0 to 10V at 0°C to 100°C
Output load:	>20 kOhm
Supply voltage:	24VDC ±15%, reverse polarity protected
Pressure:	max. 1 bar
Operating temperature:	-20°C to 80°C in medium; -20°C to 70°C above mounting
Protection rating:	IP 65

Data sheet

Float switch with temperature analogue output

Type: S110L...

Design 6

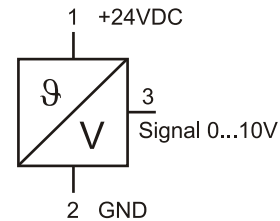


* Height above medium surface for float type S52 at density of 0,87g/cm³

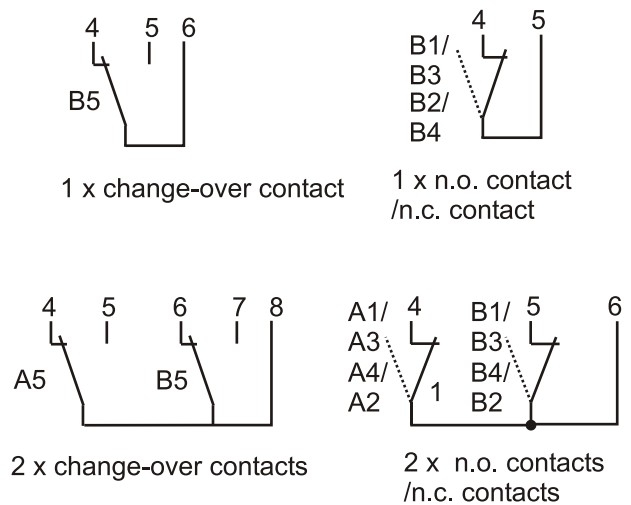
Dimensions in mm

Terminal diagrams

Temperature



Level



Technical data

Connection:	plug-type connector M12 5/6/8-pole, on alu housing Ø27, material TPU
Mounting:	thread M20x1,5, material alu
Seal:	profile seal, material NBR
Tube:	ø8mm, material brass
Float:	ø17,8x32mm, material NBR, type S52
Level switching points:	reed contacts max. 2x n.o. contacts/n.c. contacts or change-over contacts
Level switching capacity:	24VDC/150mA
Output signal temperature:	0 to 10V at 0°C to 100°C
Output load:	>20 kOhm
Supply voltage:	24VDC ±15%, reverse polarity protected
Pressure:	max. 1 bar
Operating temperature:	-20°C to 80°C in medium; -20°C to 70°C above mounting
Protection rating:	IP 65