

Data sheet

Float switch with temperature analogue output

Type: S106L...

Design 1

* Height above medium surface for float type S1 at density of 0,87g/cm³

Dimensions in mm

Order code

Float switch
PT100 4-20mA sensor

A - switching point SPA above
B - switching point SPB (designation with 1 contact)

Switching functions
1 - closes on level rise
2 - opens on level rise
3 - closes on level drop
4 - opens on level drop
5 - change-over contact

50 - switching point SPA e.g. 50mm
500 - switching point SPB e.g. 500mm

design
1 = with alu housing, 2x right-angled connectors for temp. and level
22= with alu housing, 1x plug-type connector 5 pole for temperature and level
23= with alu housing, 1x plug-type connector 6 pole for temperature and level

float - type S1

Example: S106L. A4. B4. 50. 500. 1. S1

Drilling pattern

see float diameter

Subject to change

Terminal diagrams

| | | | |
|--|---|---|--|
| <p>Temperature</p> <p>Load max. 500W</p> | <p>Level, 1 x change-over contact</p> <p>e.g. order key: S106L.B5.50.1.S1</p> | <p>Level, 1 x n.o. contact/n.c. contact</p> <p>e.g. order key: S106L.B1.50.1.S1</p> | <p>Level, 2 x n.o. contacts/n.c. contacts</p> <p>e.g. order key: S106L.A2.B4.50.500.1.S1</p> |
|--|---|---|--|

Technical data

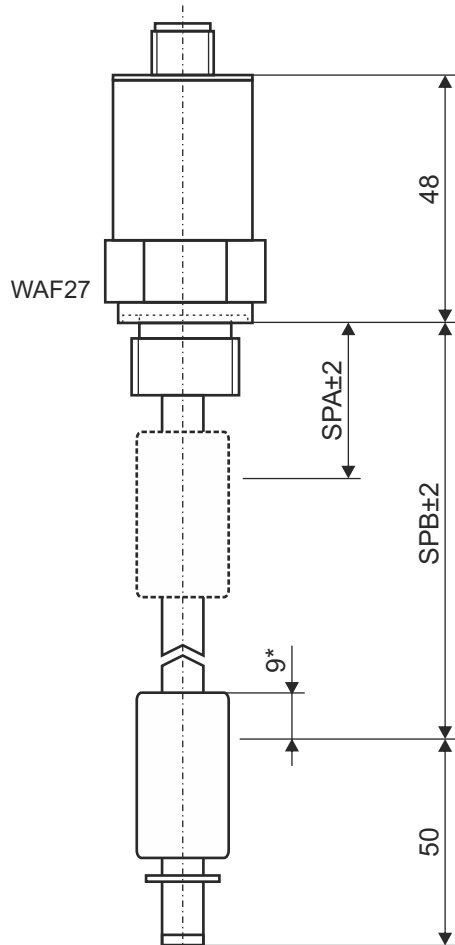
| | |
|--------------------------------|--|
| Housing: | 64x58x35mm (lxwxh) material alu |
| Connection float switch: | plug-type connector 3-pole+PE DIN EN 175301-803 (DIN 43650), material PA |
| Connection temperature sensor: | plug-type connector 3-pole+PE DIN EN 175301-803 (DIN 43650), material PA |
| Mounting: | via housing floor - see drilling pattern |
| Seal: | material NBR |
| Tube: | ø12mm, material brass - others on demand |
| Float: | ø35x40mm, material PP, type S1 |
| Switching points: | reed contacts, max. 2x normally open/normally closed contact or 1x change-over contact |
| Switching voltage: | max. 230VAC |
| Switching current: | 1A |
| Switching capacity: | 60VA |
| Output signal temperature: | 4...20mA at 0°C to 100°C |
| Pressure: | max. 1 bar |
| Operating temperature: | -20°C to 80°C in medium; -20°C to 70°C above mounting |
| Protection rating: | IP 65 |

Data sheet

Float switch with temperature analogue output

Type: S106L...

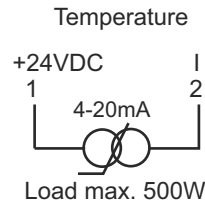
Design 22



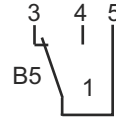
* Height above medium surface for float type S52 at density of 0,87g/cm³

Dimensions in mm

Terminal diagrams

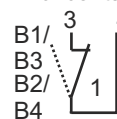


Level, 1 x change-over contact



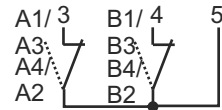
e.g. order key:
S106L.B5.50.22.S52

Level, 1 x n.o. contact/
n.c. contact



e.g. order key:
S106L.B1.50.22.S52

Level, 2 x n.o. contact/
n.c. contact



e.g. order key:
S.106L.A2.B4.50.500.22.S52

Subject to change

Technical data

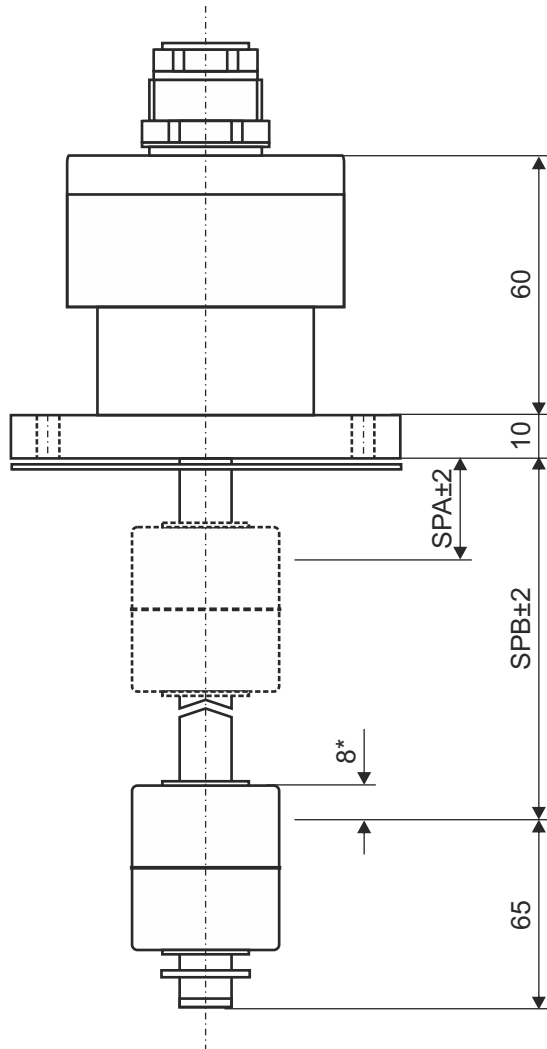
| | |
|----------------------------|--|
| Housing: | Ø27mm, material alu |
| Connection: | circular connector M12 5-pole, a-coded, material PA |
| Mounting: | thread 1/2", material alu |
| Seal: | profile seal, material NBR |
| Tube: | ø8mm, material brass - other on demand |
| Float: | ø17,8x32mm, material NBR, type S52 |
| Switching points: | reed contacts, normally open/ normally closed contact or change-over contact |
| Output signal temperature: | 4...20mA at 0°C to 100°C |
| Load: | max. 500 Ohm |
| Supply voltage: | 24VDC±15% |
| Pressure: | atmospheric |
| Operating temperature: | -20°C to 100°C in medium; -20°C to 70°C above mounting |
| Protection rating: | IP 65 |

Data sheet

Float switch with temperature analogue output

Type: S106L...

Design 23

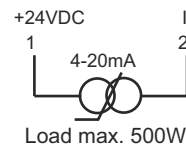


* Height above medium surface for float type S1 at density of 0,87g/cm³

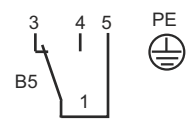
Dimensions in mm

Terminal diagrams

Temperature

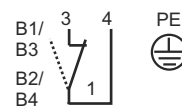


Level, 1 x change-over contact



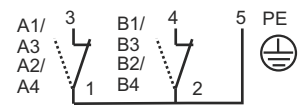
e.g. order key:
S106L.B5.50.23.S1

Level, 1 x n.o. contact/
n.c. contact



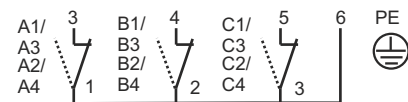
e.g. order key:
S106L.B1.50.23.S1

Level, 2 x n.o. contacts/
n.c. contacts

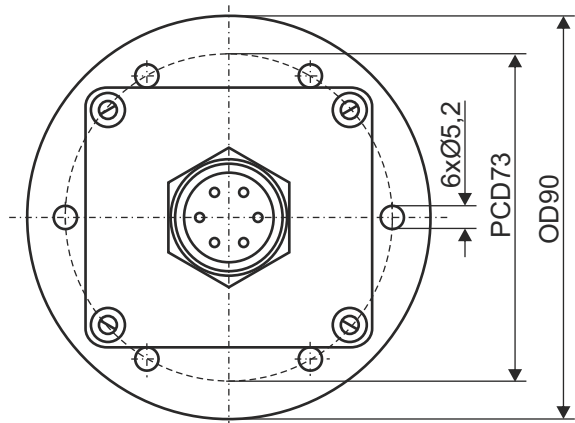


e.g. order key:
S106L.B1.50.23.S1

Level, 3 x n.o. contacts/ n.c. contacts



e.g. order key:
S106L.B1.50.23.S1



Technical data

| | |
|----------------------------|---|
| Housing: | 64x58x35mm (lxwxh) material alu |
| Connection: | plug-type connector 6-pole + PE acc. DIN EN 175201-804 (DIN 43651), material PET |
| Mounting: | round flange, OD 90mm, PCD 73mm, material alu |
| Seal: | material NBR |
| Tube: | Ø12mm, material brass |
| Float: | Ø35x40mm, material PP, type S1 |
| Switching points: | reed contacts, max. 3x normally open/ normally closed contact or 1x change-over contact |
| Output signal temperature: | 4...20mA at 0°C to 100°C |
| Switching voltage: | max. 230VAC |
| Switching current: | 1A |
| Switching capacity: | 60VA |
| Pressure: | max. 1 bar |
| Operating temperature: | -20°C to 80°C in medium; -20°C to 70°C above mounting |
| Protection rating: | IP 65 |

Subject to change