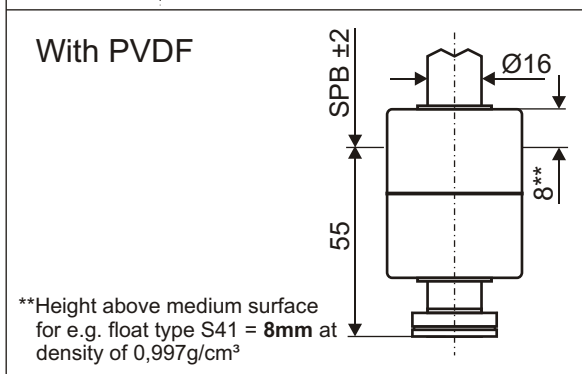
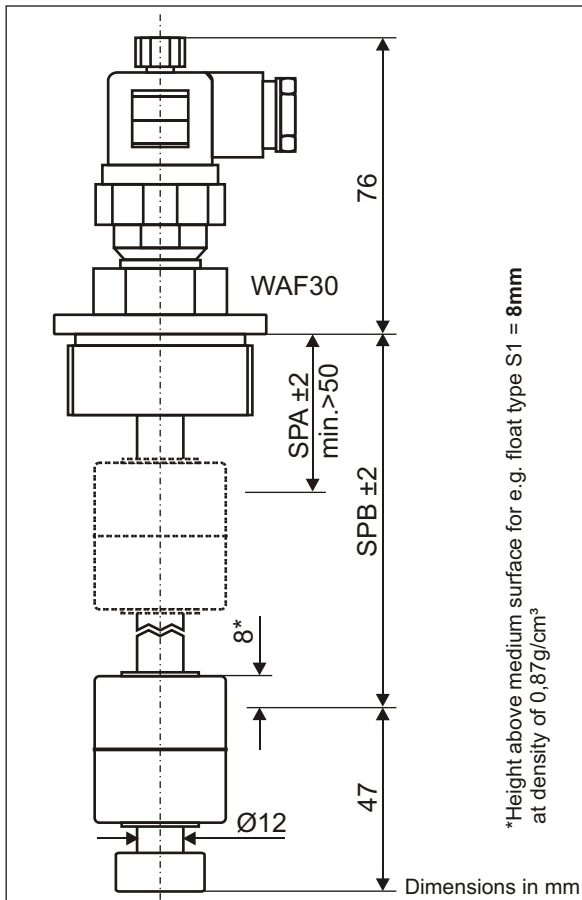


# Data sheet

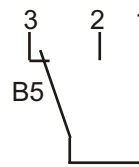
## Float switch plastic design 26

### Type: SS...26...

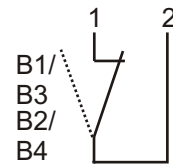
Device with temperature sensor or temperature switch combinable,  
see also level / temperature measurement technology combined



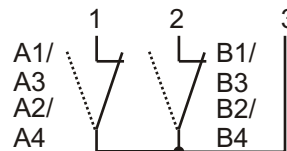
### Terminal diagrams



1 x change-over contact;  
e.g.: SSPP.1.B5.50.26.S1  
230VAC/1A/60 VA



1 x n.o. contact/n.c. contact  
e.g.: SSPP.1.B3.50.26.S1  
230VAC/1A/60 VA



2 x n.o. contacts/n.c. contacts;  
e.g.: SSPP.2.A2.B3.50.500.26.S1  
230VAC/1A/60 VA

### Order key

Example for 2 switching points: **SS PP. 2. A2. B3. 50. 500. 26. S1**

Float switch SS

Tube PP - polypropylene  
PF - polyvinylidene fluoride (PVDF)

2 - No. of contacts (max. 2)

A - switching point A above  
B - switching point B  
(designation with 1 contact)

Switching functions:

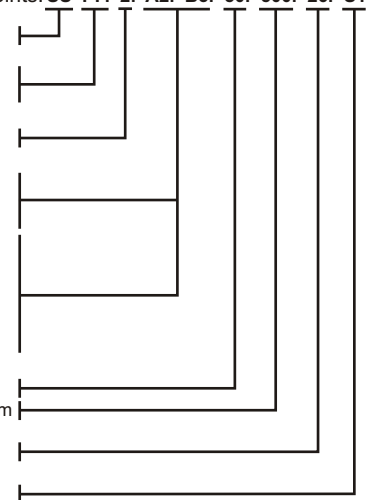
- 1 - closes on level rise
- 2 - opens on level rise
- 3 - closes on level drop
- 4 - opens on level drop
- 5 - change-over contact

50 - switching point A e.g. SPA2 = 50mm

500 - switching point B e.g. SPB3 = 500mm

26 - design

S1 - float - see technical data



### Technical data

Connection:	right-angled connector 3-pole + PE DIN EN 175301-803 (DIN 43650), material PA
Mounting:	thread 1 1/2", material PP or PVDF
Tube:	$\varnothing 12$ mm material PP or $\varnothing 16$ mm material PVDF
Float:	$\varnothing 35 \times 40$ mm, material PP, type S1 $\varnothing 40 \times 40$ mm, material PP, type S2 $\varnothing 40 \times 30$ mm, material PP, type S9 $\varnothing 41 \times 50$ mm, material PVDF, type S41 only in combination with PVDF
Switching points:	reed contacts: max. 2x n.o. contacts / n.c. contacts or 1x change-over contact
Switching capacity:	max. 230 VAC / 1A / 60VA
Pressure:	max. 1 bar
Operating temperature:	-20°C to 80°C in medium, -20°C to 70°C above mounting (with PP) -20°C to 100°C in medium, -20°C to 70°C above mounting (with PVDF)
Protection rating:	IP 65