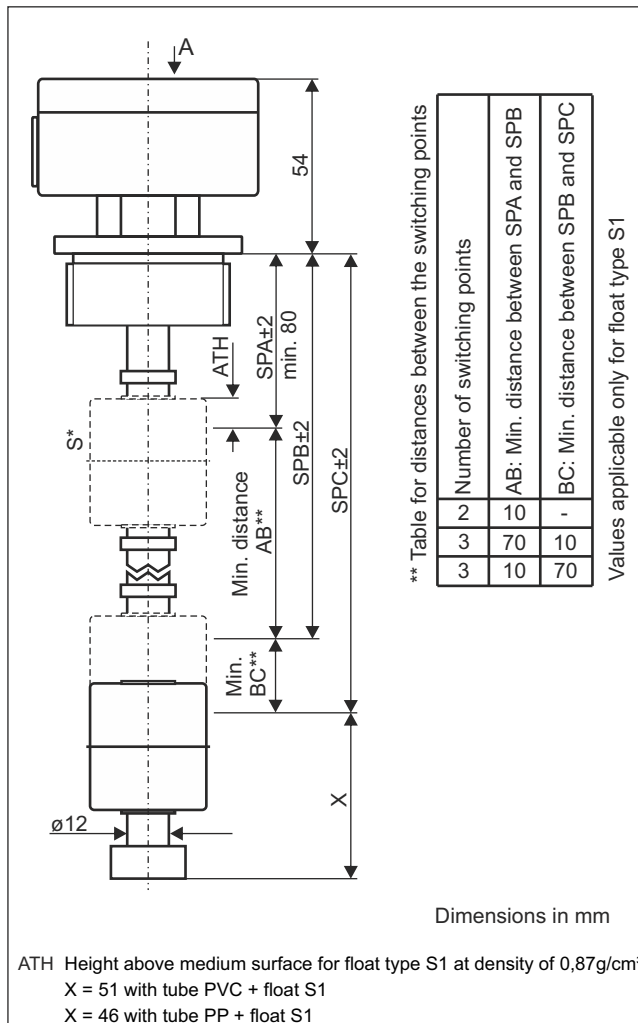


# Data sheet

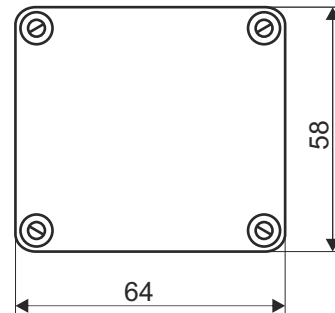
## Float switch plastic design 7

### Type: SS...7....

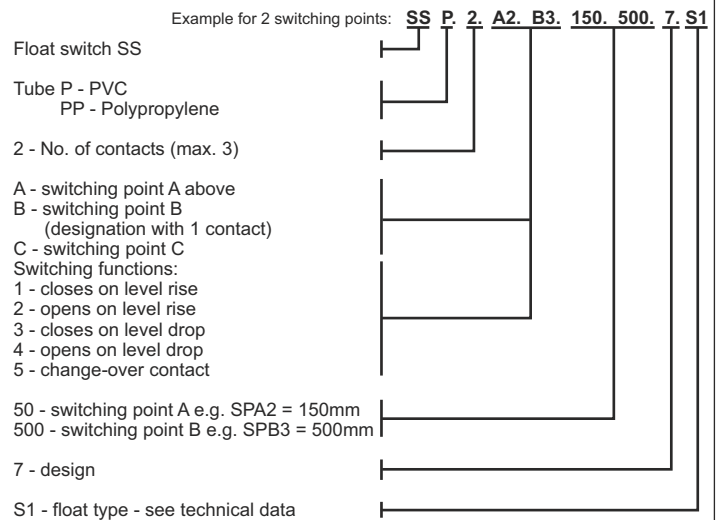
Device with temperature sensor or temperature switch combinable,  
see also level / temperature measurement technology combined



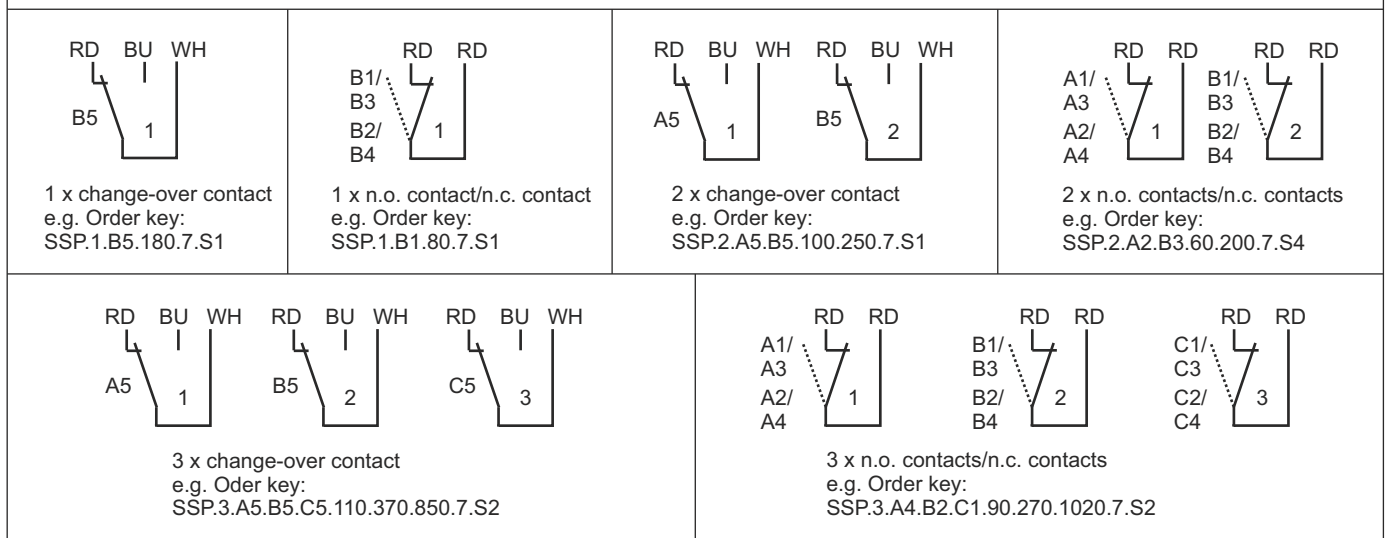
### View A



### Order key



### Examples for terminal diagrams



# Data sheet

## Float switch plastic design 7

### Type: SS...7....

#### Technical data

Connection:	terminal connection 1.5mm <sup>2</sup> in the housing cable entry at the housing M16x1.5, material makrolon, colour grey
Mounting:	1 1/2" thread, material same as of tube (PP, PVC)
Tube:	Ø12mm, material acc. to customer specification PP or PVC
Float:	Ø35x40mm, material PP, type S1 Ø40x40mm, material PP, type S2 Ø40x30mm, material PP, type S3
Switching points:	reed contacts, max. 3x n.o. contacts/n.c. contacts or change-over contact, further reed contacts on demand
Switching voltage:	max. 230 VAC
Switching current:	1A
Switching capacity:	60VA
Pressure:	max. 1 bar
Operating temperature:	-20°C to 80°C in medium, -20°C to 70°C above mounting (for PP) -20°C to 60°C in medium, -20°C to 60°C above mounting (for PVC)
Protection rating	IP 65