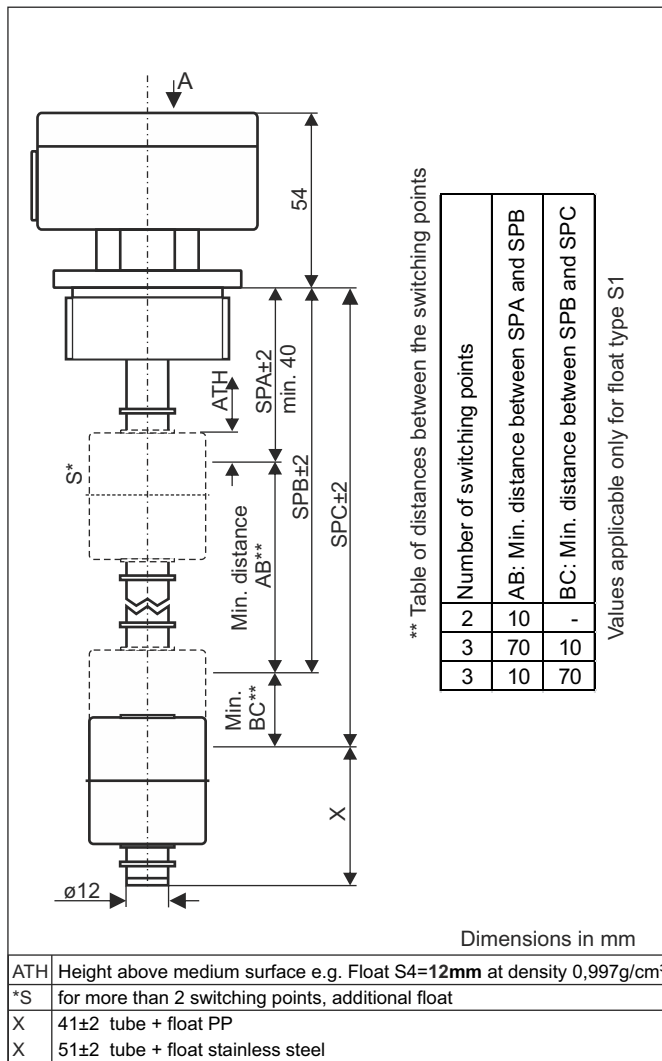


# Data sheet

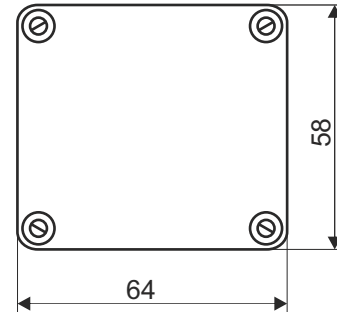
## Float switch stainless steel design 7

### Type: SSE....7....

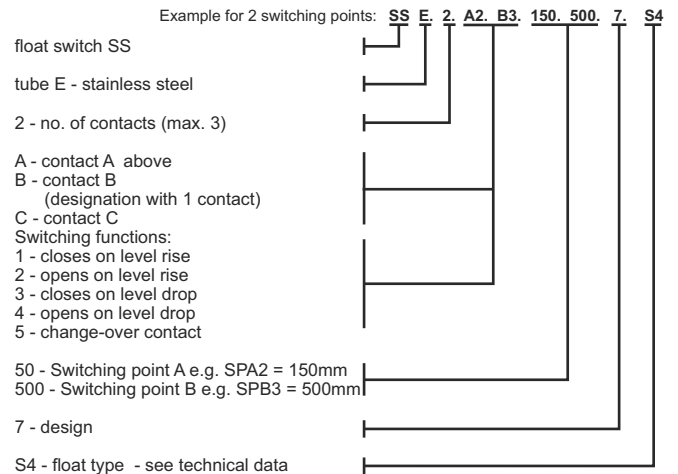
Device with temperature sensor or temperature switch combinable,  
see also level / temperature measurement technology combined



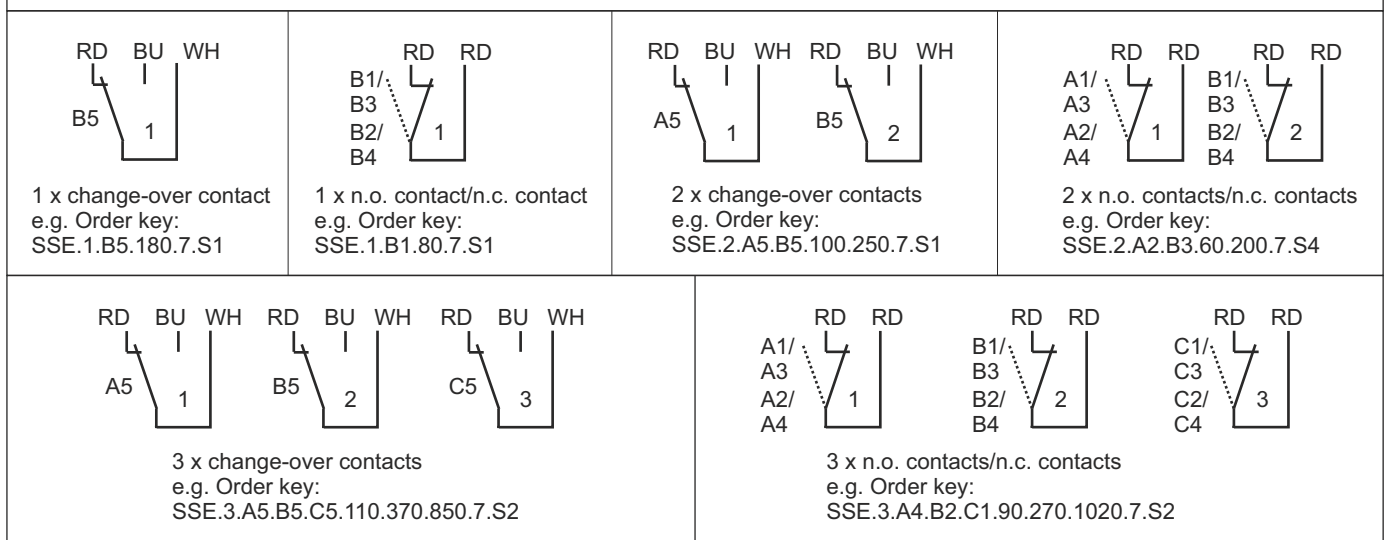
### View A



### Order key



### Example for Terminal diagrams



# Data sheet

## Float switch stainless steel design 7

### Type: SSE....7....

#### Technical data

Connection:	terminal connection 1.5 mm <sup>2</sup> in the housing cable entry at the housing M16x1,5, material alu, colour grey
Mounting:	1 1/2" thread, material stainless steel 1.4571
Tube:	ø12mm, material stainless steel 1.4571
Float:	S1: material PP, ø35x40mm, S4: material stainless steel 1.4571 ø45x52mm;
Switching points:	reed contacts, max. 3x n.o. contacts/n.c. contacts or change-over contact, further reed contacts on demand
Switching voltage:	max. 230 VAC
Switching current:	1A
Switching capacity:	60VA
Pressure:	max. 1 bar, with stainless steel float max. 25bar
Operating temperature:	-20°C to 80°C in medium, -20°C to 70°C above mounting (with PP float) -20°C to 100°C in medium, -20°C to 70°C above mounting (with stainless steel float)
Protection rating:	IP 65