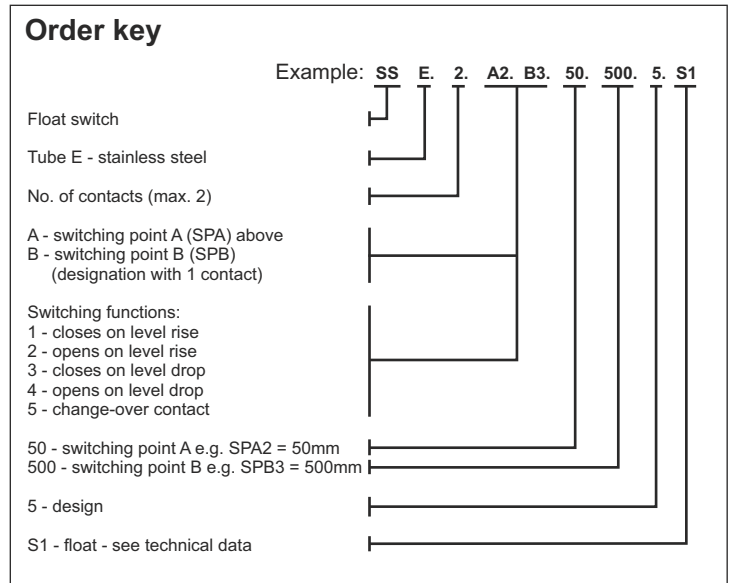
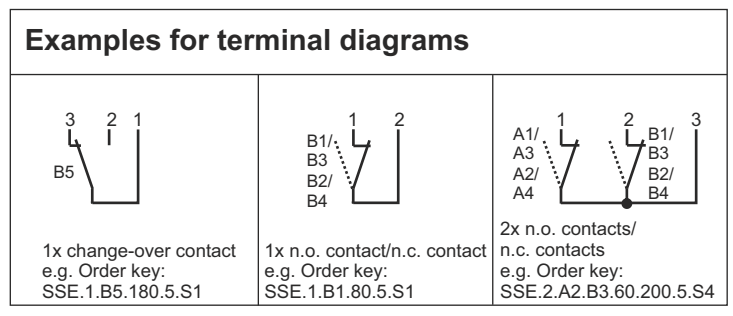
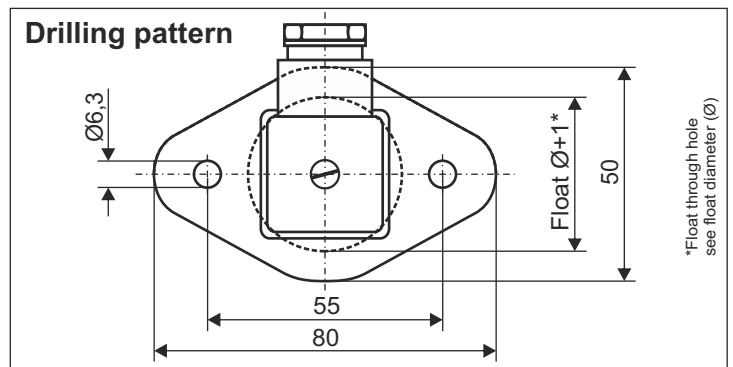
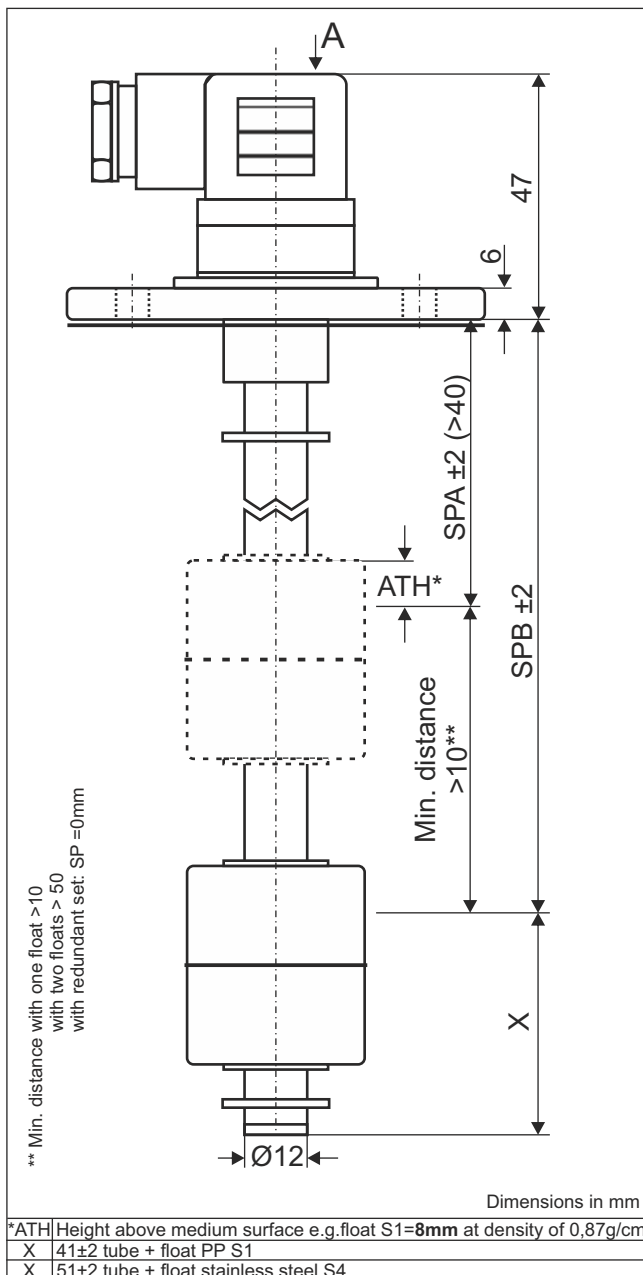


# Data sheet

## Float switch stainless steel design 5

### Type: SSE...5...

Device with temperature sensor or temperature switch combinable,  
see also level / temperature measurement technology combined



### Technical data

Connection:	plug-type connector 3-pole + PE, DIN EN 175301-803 (DIN 43650), material PA
Mounting:	oval flange 80x50mm, material PA
Seal:	material NBR
Tube:	Ø12mm, material stainless steel, length ±1mm acc. to customer specification
Float:	Ø35x40mm, material PP, type S1 Ø45x52mm, material stainless steel 1.4571, type S4
Switching point:	reed contacts, max. 2x n.o. contact/ n.c. contact or 1x change-over contact
Switching voltage, current, capacity:	230 VAC, 1A, 60VA
Pressure:	max.1 bar, with stainless steel float max.25bar
Operating temperature:	-20°C to 100°C in medium; (-20°C bis 80°C in medium (with PP float)) -20°C to 70°C above mounting (with stainless steel float)
Protection rating:	IP 65