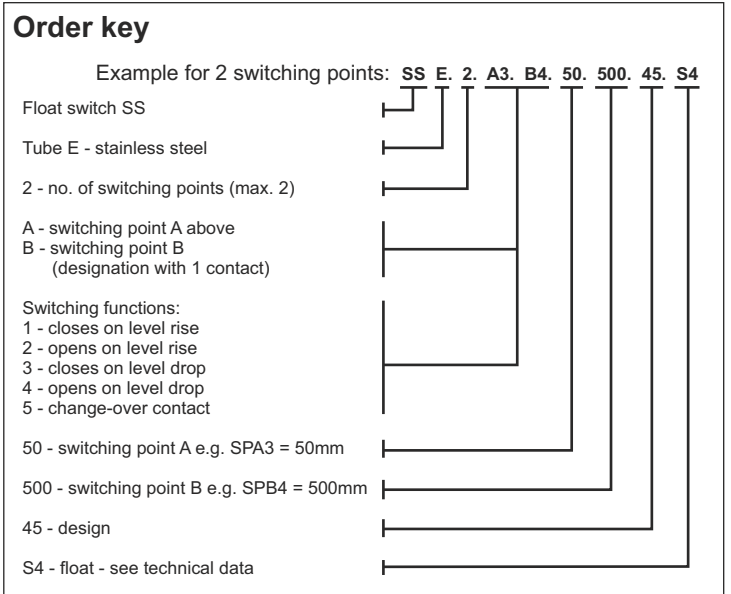
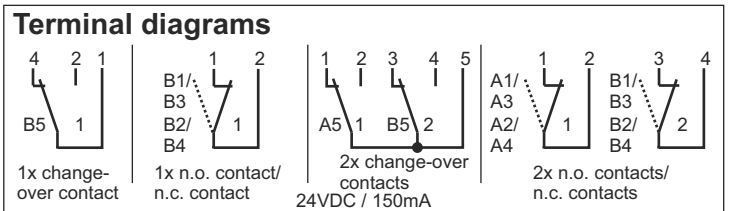
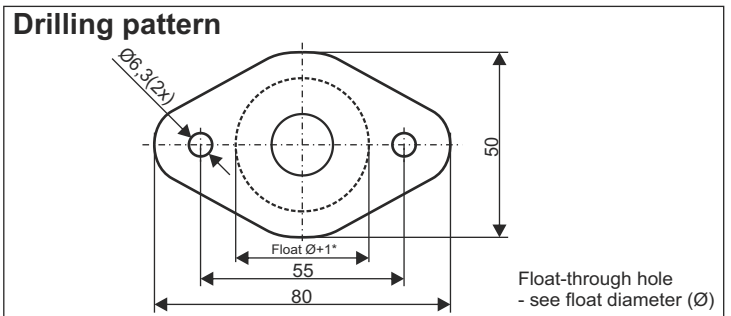
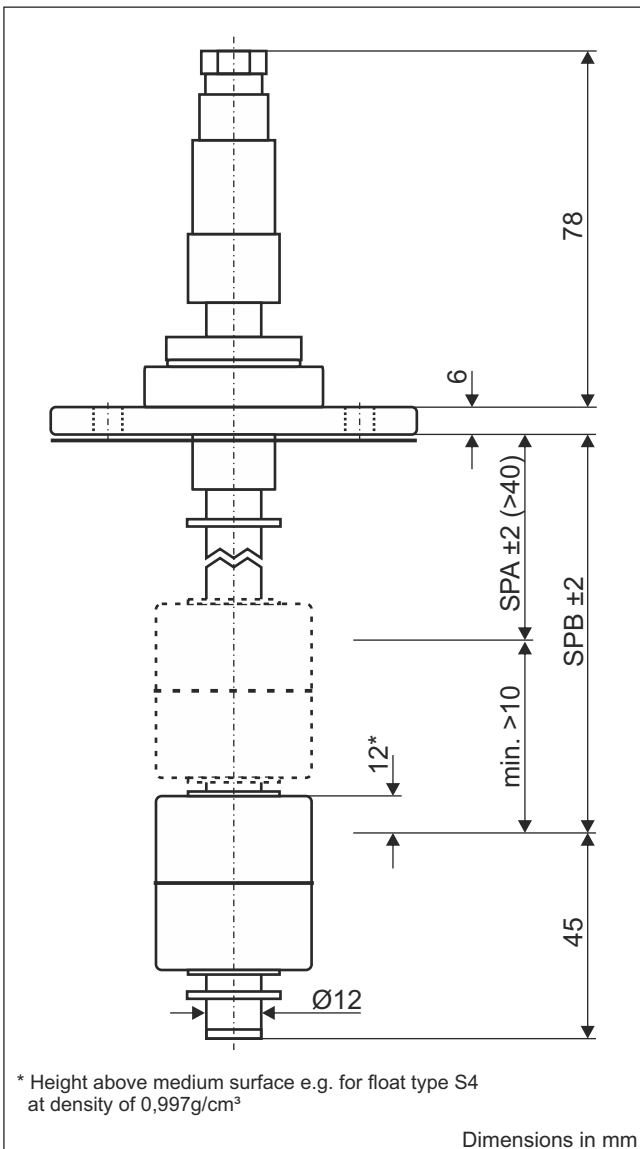


Data sheet

Float switch stainless steel design 45

Type: SSE...45...

Device with temperature sensor or temperature switch combinable,
see also level / temperature measurement technology combined



Technical data	
Connection:	plug-type connector M12x1 4-pole/5-pole depending on function with connector socket, material PA
Mounting:	oval-flange 80x50mm, material PA
Seal:	material NBR
Tube:	Ø12mm, material stainless steel 1.4571
Float:	Ø35x40mm, material PP, type S1 Ø45x52mm, material stainless steel 1.4571, type S4
Switching points:	reed contacts, max. 2x n.o. contacts/n.c. contacts or 1x change-over contact, further reed contacts on demand
Switching capacity:	24VDC / 150mA
Pressure:	max. 1 bar, with stainless steel float max. 25bar
Operating temperature:	-20°C to 80°C in medium, -20°C to 70°C above mounting (with PP float) -20°C to 100°C in medium, -20°C to 70°C above mounting (with stainless steel float)
Protection rating:	IP 65