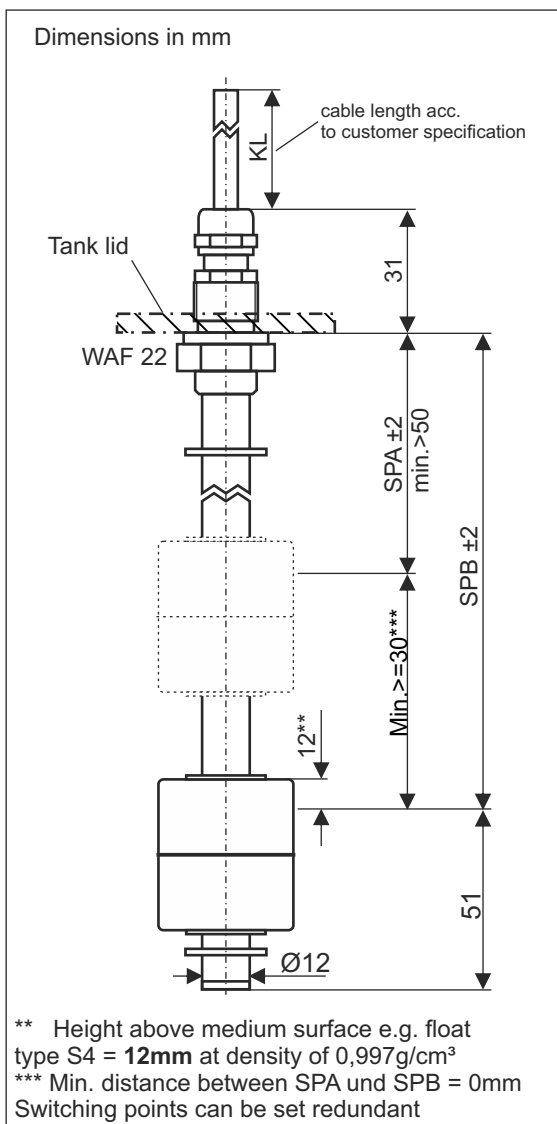


# Data sheet

## Float switch stainless steel design 2

### Type: SSE...2...

Device with temperature sensor or temperature switch combinable,  
see also level / temperature measurement technology combined



### Order key

Example for 2 switching points: **SS E. 2. A2. B3. 50. 500. 2. S4. KL1000**

Float switch SS

Tube E - stainless steel

2 - no. of contacts (max. 2)

A - contact A above

B - contact B

(designation with bei 1 contact)

Switching functions:

1 - closes on level rise

2 - opens on level rise

3 - closes on level drop

4 - opens on level drop

5 - change-over contact

50 - switching point A e.g. SPA2 = 50mm

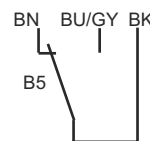
500 - switching point B e.g. SPB3 = 500mm

2 - design

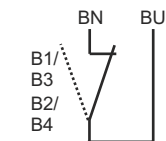
S4 - Float - see technical data

KL - cable length 1000mm

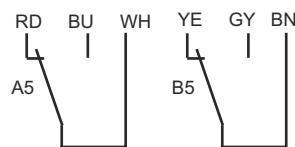
### Terminal diagrams



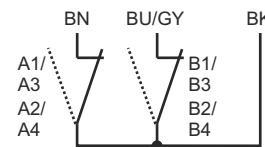
1 x change-over contact;  
e.g.: SSE.2.B5.50.2.S4



1 x n.o. contact/n.c. contact  
e.g.: SSE.2.B3.50.2.S4



2 x change-over contacts;  
e.g.: SSE.2.A5.B5.50.2.S4



2 x n.o. contacts/n.c. contacts  
e.g.: SSE.2.A2.B3.50.2.S4

### Technical data

Connection:	standard: oil-resistant cable, length KL 1000mm; other cable types and lengths on demand cable entry via cable gland, material stainless steel 1.4571
Mounting:	thread R3/8", material stainless steel 1.4571
Tube:	Ø12mm, length L±1mm according to spec., material stainless steel 1.4571
Float:	Ø35x40mm material PP, type S1 Ø45x52mm material stainless steel 1.4571, type S4 Ø52mm material stainless steel 1.4571, type S7
Switching points:	reed contacts: max. 2x n.o. contacts/n.c. contacts or change-over contacts
Switching capacity:	max. 24 VDC / 150mA
Pressure:	max. 1 bar, with stainless steel float max. 25bar
Operating temperature:	-20°C to 80°C in medium, -20°C to 70°C above mounting (with PP float) -20°C to 100°C in medium, -20°C bis 70°C above mounting (with stainless steel float)
Protection rating:	IP 65