

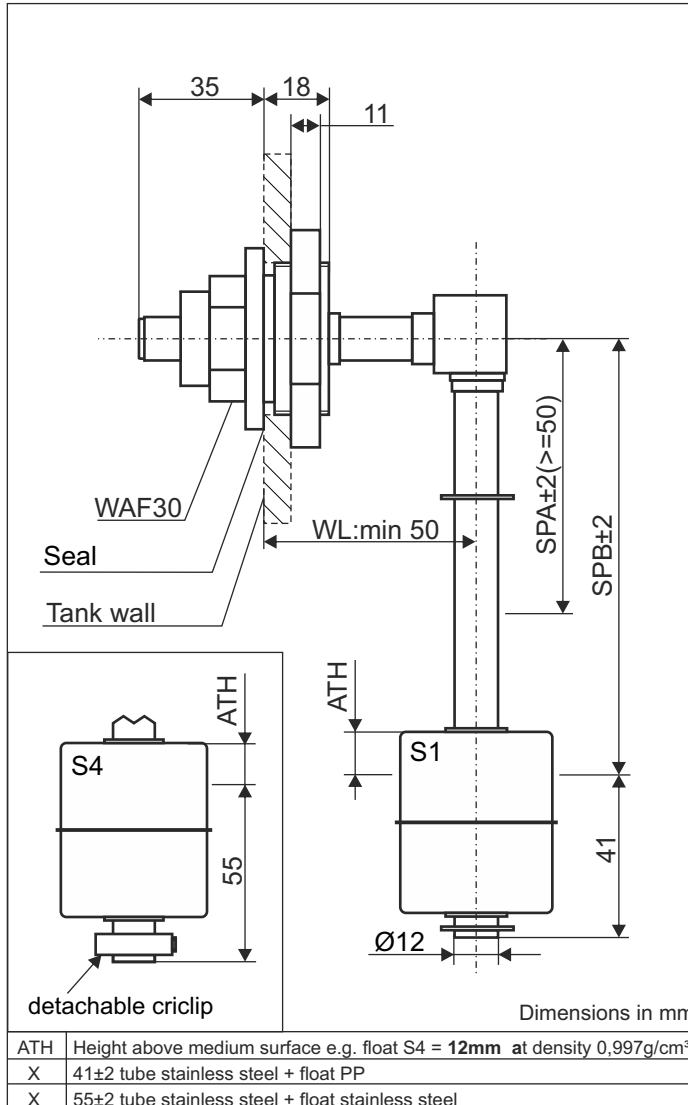
# Data sheet

## Float switch design 119

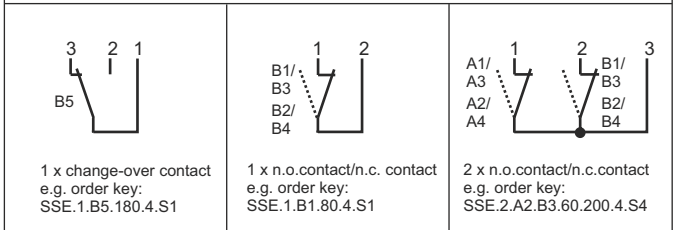
### for installation in the wall of tank

### Type: SSE...119...

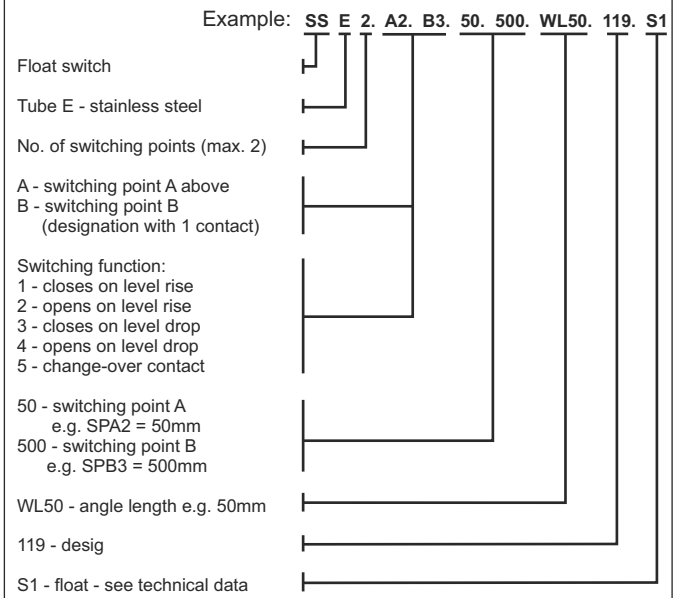
Device with temperature sensor or temperature switch combinable,  
see also level / temperature measurement technology combined



### Examples for terminal diagrams



### Order key



*Subject to change*

### Technical data

Connection:	plug-type connector M12x1 4-pole, material TPU
Mounting:	screwed connection 1 1/4", material stainless steel further mountings on request
Seal:	material EPDM
Tube:	Ø12mm, material stainless steel 1.4571
Float:	Ø35x40mm, material PP, type S1 Ø45x52mm, material stainless steel 1.4571, type S4 (with removable collar)
Switching points:	reed contacts, max. 2x n.o.contact/n.c.contacts or 1x change-over contact
Switching voltage, current, capacity:	230 VAC, 1A, 60VA
Pressure:	max 1bar, with stainless steel float max.25bar
Operating temperature:	-20°C to 80°C in medium; -20°C to 70°C above mounting (with PP) -20°C to 100°C in medium; -20°C to 70°C above mounting (with stainless steel)
Protection rating:	IP 65