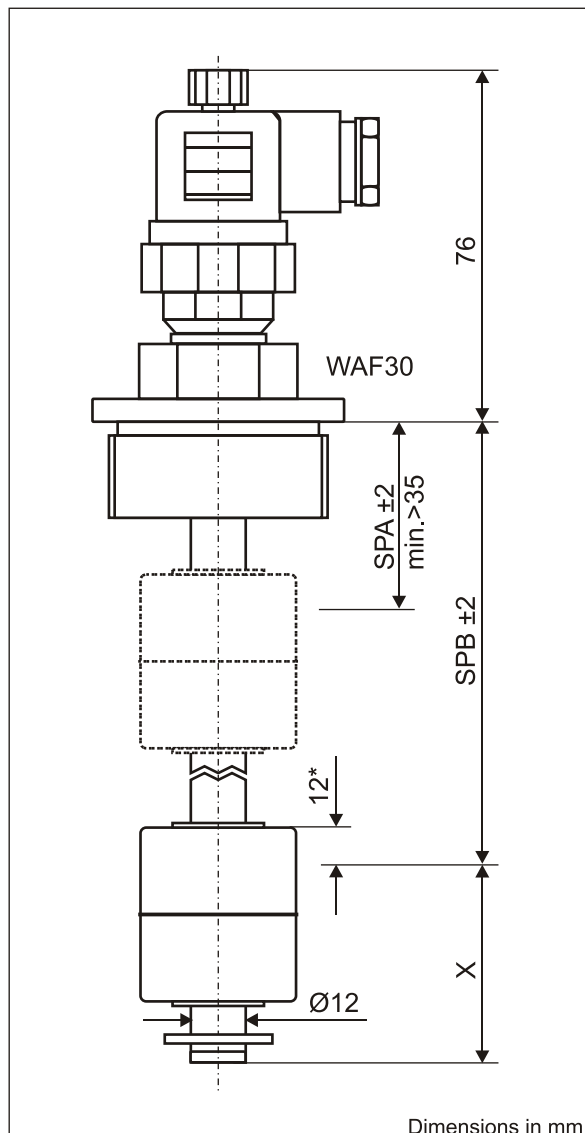


Data sheet

Float switch stainless steel design 26

Type: SSE...26...

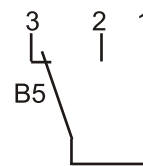
Device with temperature sensor or temperature switch combinable,
see also level / temperature measurement technology combined



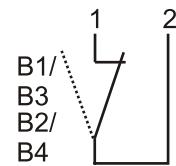
Dimensions in mm

ATH	Height above medium surface e.g. float S4 = 12mm at density of 0,997g/cm ³
*S	for more than 2 switching points, additional floats
X	41±2 tube stainless steel + float PP
X	51±2 tube stainless steel + float stainless steel

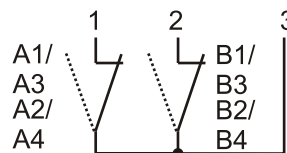
Terminal diagrams



1 x change-over contact;
e.g.: SSE.2.B5.50.2.S4
230VAC/1A/60 VA



1 x n.o. contact/n.c. contact;
e.g.: SSE.2.B3.50.2.S4
230VAC/1A/60 VA



2 x n.o. contact/n.c. contact;
e.g.: SSE.2.A2.B3.50.500.2.S4
230VAC/1A/60 VA

Order key

Example for 2 switching points: **SS E. 2. A2. B3. 50. 500. 26. S4**

Float switch SS

Tube E - stainless steel

2 - No of switching points (max. 2)

A - switching point A above

B - switching point B

(designation with 1 contact)

Switching functions:

1 - closes on level rise

2 - opens on level rise

3 - closes on level drop

4 - opens on level drop

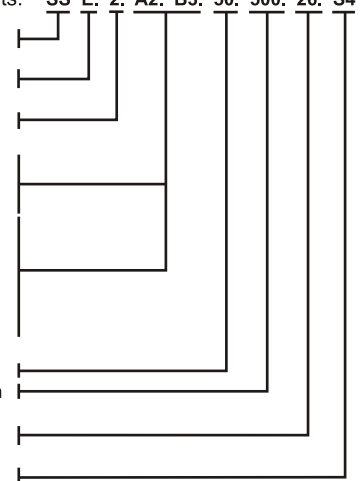
5 - change-over contact

50 - switching point A e.g. SPA2 = 50mm

500 - switching point B e.g. SPB3 = 500mm

26 - design

S4 - float - see techn. Data



Technical data

Connection:	right-angled connector 3-pole + PE DIN EN 175301-803 (DIN 43650), material PA
Mounting:	thread 1 1/2", material stainless steel
Tube:	Ø12mm material stainless steel
Float:	Ø35x40mm, material PP, type S1 Ø45x52mm, material stainless steel, type S4
Switching points:	reed contacts: max. 2x normally open contact / normally closed contact or 1x change-over contact
Switching capacity:	max. 230 VAC / 1A / 60VA
Pressure:	max. 1 bar, with stainless steel float max. 25bar
Operating temperature:	-20°C to 80°C in medium, -20°C to 70°C above mounting (with PP float) -20°C to 100°C in medium, -20°C to 70°C above mounting (with stainless steel float)
Protection rating:	IP 65