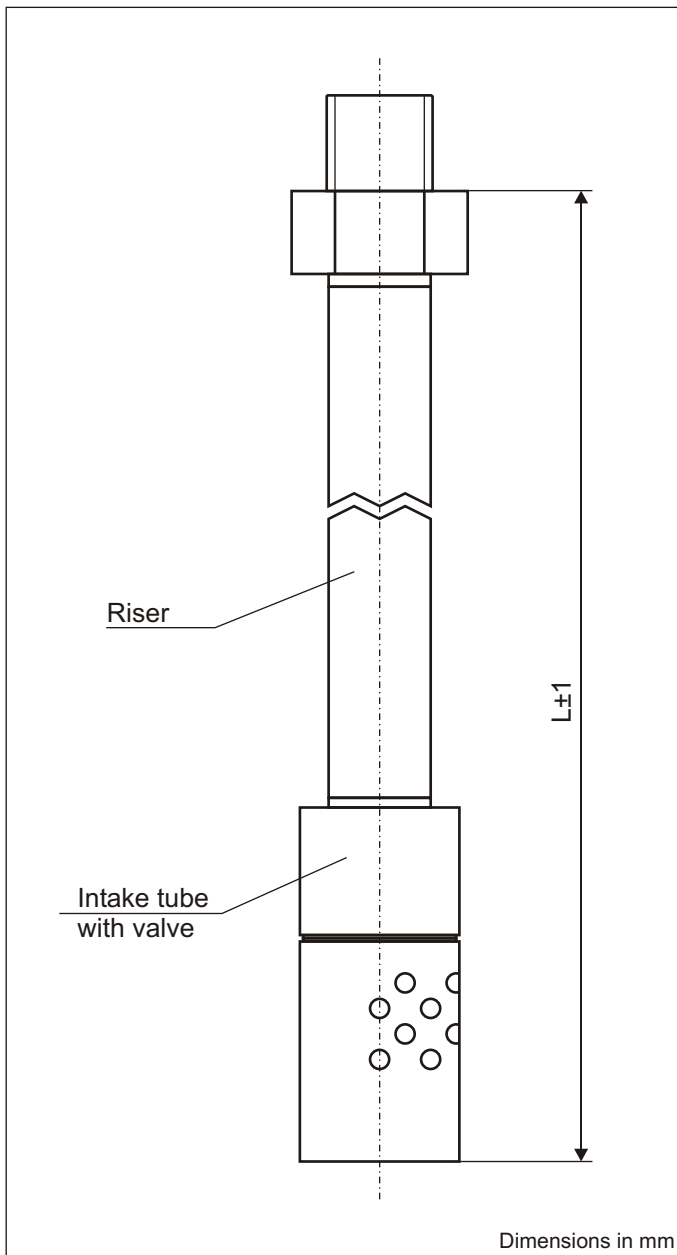


Data sheet
Suction pipe in plastic
Type: SL-1...



Order key

Example: **SL-1. 500. PF**

Type

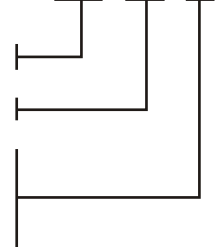
Length L in mm

Material

PF - polyvinylidene fluoride (PVDF)

PP - polypropylene (PP)

P - polyvinyl chloride (PVC)



Technical data

Connection/mounting:	thread 3/8", material PVDF, PP or PVC
Riser:	ø16mm, length L±1mm according to customer specification, material PVDF, PP or PVC
Valve:	material valve tube PVDF, PP or PVC material bullet oxide ceramic
Intake tube:	ø25mm, material PVDF, PP or PVC
Operating temperature:	-20°C to 100°C in medium (with PVDF) -20°C to 80°C in medium (with PP) -10°C to 60°C in medium (with PVC)