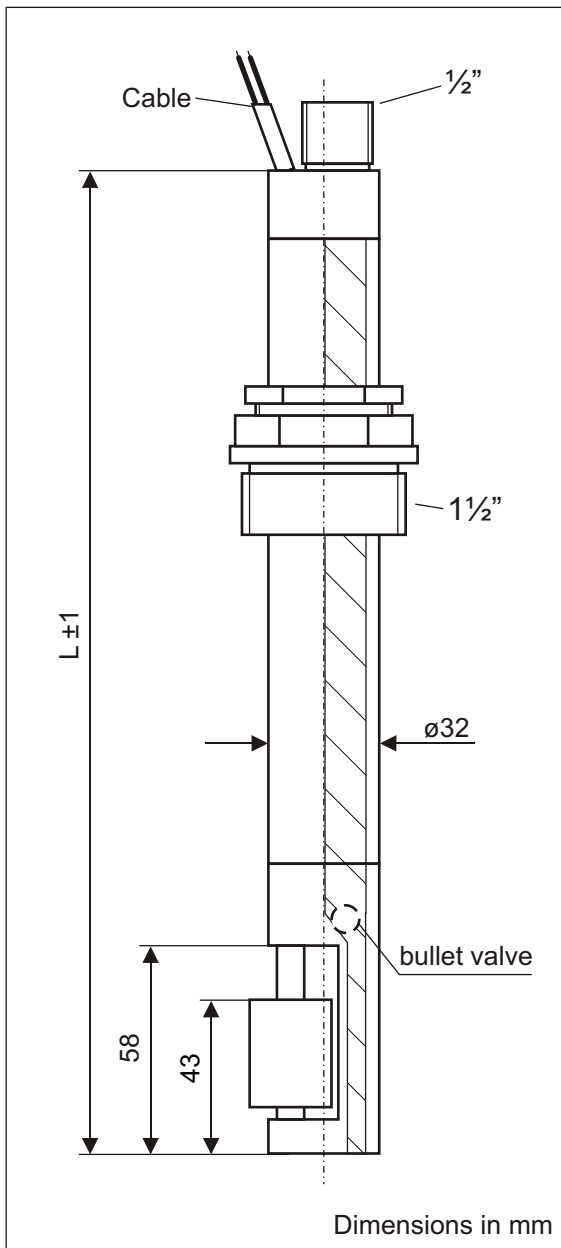


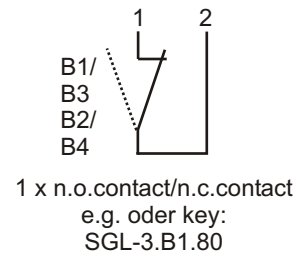
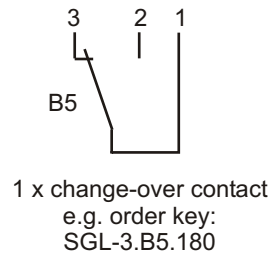
Data sheet

Plastic suction pipe with level switching point

Type: SGL-3...



Terminal diagram



Order key

Suction pipe

Function:

- B1 - closes on level rise
- B2 - opens on level rise
- B3 - closes on level drop
- B4 - opens on level drop
- B5 - change-over contact

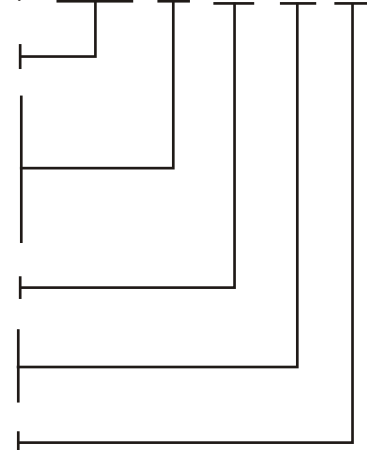
Length L in mm, e.g. 500mm

Material

- PP - polypropylene (PP)
- P - polyvinylchloride (PVC)

2M - cable length e.g. 2 meter

Example: **SGL-3. B4. 500. PP. 2M**



Technical data

Process connection:	Via 1/2" suction
Electrical connection:	2x0,5mm ² oil-resistant cable, material PVC, type oil-flex, cable length acc. to customer specification
Mounting:	thread 1 1/2" with depth adjustment, clamping ring through o-ring, material PVC or PP
Tube:	ø8mm, material PVC or PP
Intake tube:	OD8mm, ID 6mm, material PVC or PP
Outer tube:	ø32mm, material PVC or PP, length L±1mm acc. to customer specification
Valve:	bullet valve, material valve tube PVC or PP, material bullet stainless steel
Float:	ø25x21mm, material PP
Switching points:	reed contact: 1x normally open/closed contact or change-over contact
Switching capacity:	24 VDC / 150mA
Pressure:	max. 1 bar
Operating temperature:	PP: -20°C to 80°C in medium PVC: -10°C to 60°C in medium
Protection rating:	IP 65