

Data sheet

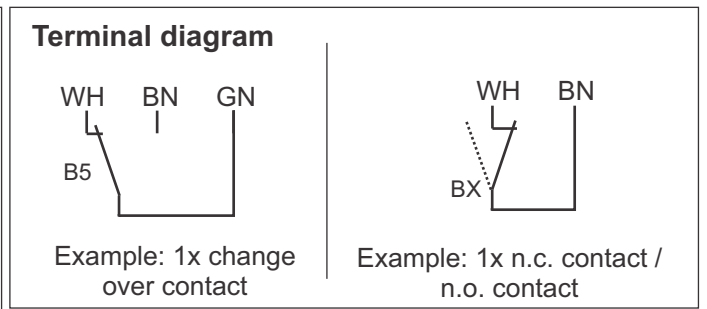
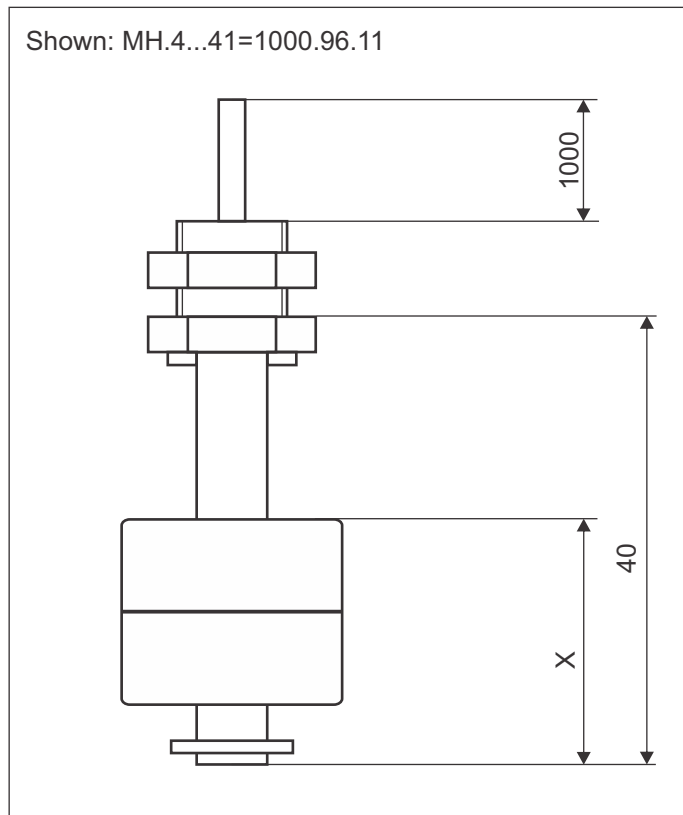
Mini float switch PP

Type: MH.4...

Order key

MH. 4 . B3 . 41=1000 . 74 . 11

Type mini float switch MH	float: ø25x21mm PP ----- 11 ø20x22mm PP foamed ----- 12 ø17,5x20mm NBR foamed -- 13 ø20x20mm NBR foamed----- 14 ø23x25mm NBR foamed ---- 15
Material tube: PP tube ø8 --4	Mounting: thread G1/8" PP ----- 74 thread G3/8" PP ----- 96 thread PG7 PP ----- 97 <small>Installation from inside</small>
Function switching point B: closes on level drop ----- B3 opens on level drop ----- B4 change over contact ----- B5 n.c. contact/n.o. contact -- B3/B4* <small>*By rotating the float by 180°, the switching function normally closed/ normally open can be changed.</small>	Connection: cable 0,25mm ² PVC, -25°C to 60°C, length acc. to specification --- 41=... e.g.1000mm cable 0,22mm ² silicone, -25°C to 100°C, length acc. to specification --- 42=...e.g.1000mm



Float

11	- X=17 at density approx. 0,55g/cm ³ rotatable*
12	- X=23 at density approx. 0,70g/cm ³ rotatable*
13	- X=23 at density approx. 0,70g/cm ³
14	- X=23 at density approx. 0,75g/cm ³ rotatable*
15	- X=23 at density approx. 0,60g/cm ³

*By turning the float by 180° the switching function normally closed/ normally open can be changed.

Technical data

Connection:	cable 0,25mm ² , material PVC, wire ID code DIN 47100, length according to specification cable 0,22mm ² , material silicone, wire ID code DIN 47100, length according to specification
Mounting:	thread G1/8", thread length 12mm, WAF17, material PP thread G3/8", thread length 12mm, WAF22/24, material PP thread PG7, thread length 12mm, WAF19, material PP
Tube:	Ø8mm, material PP
Float:	see order key
Switching point:	total length 40mm - X (float) = switching point
Switching capacity:	at switching function n.c. contact - 175V / 0,25A / 5VA n.o. contact - 200V / 0,50A / 10VA change over contact - 175V / 0,25A / 5VA n.c. contact/n.o. contact - 200V / 0,50A / 10VA
	contact protection must be provided
Pressure:	max. 5 bar
Operating temperature:	-25°C to 60°C (PVC cable) -25°C to 100°C (silicone cable)
Protection rating:	IP 65

Attention: Version without protective earth conductor. Operate only with protective extra-low voltage or external grounding!