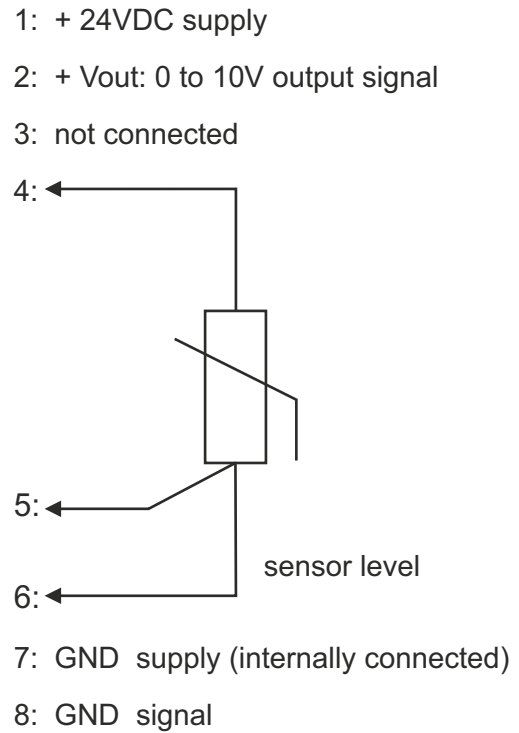


Data sheet
Measuring transducer level 0..10V
Type: SAP-20..



Terminal diagram



Technical data

Housing:	75 x 23 x 99mm material PC (30% GF)
Input:	level 3-wire
Output:	analogue signal 0 ... 10V
Output load:	>2000 Ohm
Accuracy:	± 2% FS
Supply voltage:	24VDC ± 15%, max. 30mA reverse polarity protected
Operating current:	<30mA
Operating temperature:	0°C to 60°C
Protection rating:	housing IP 20