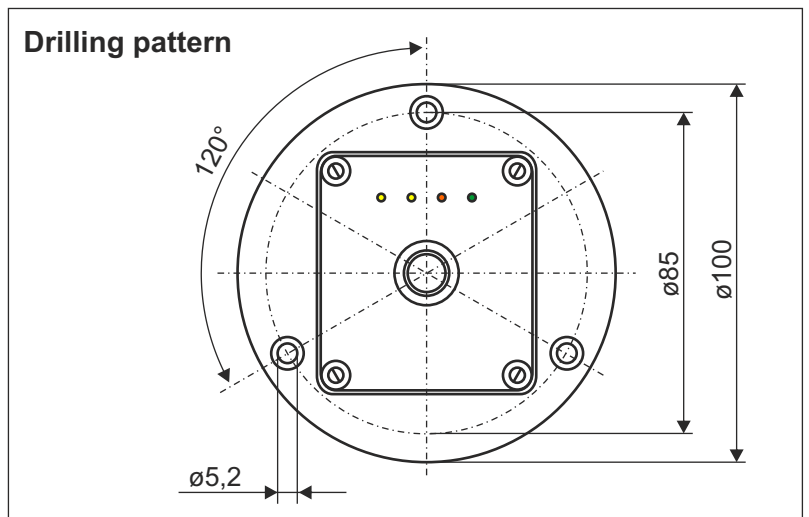
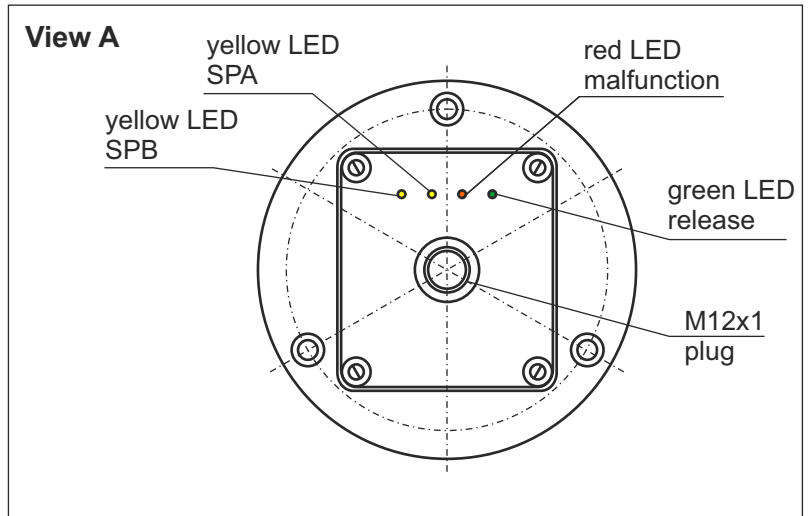
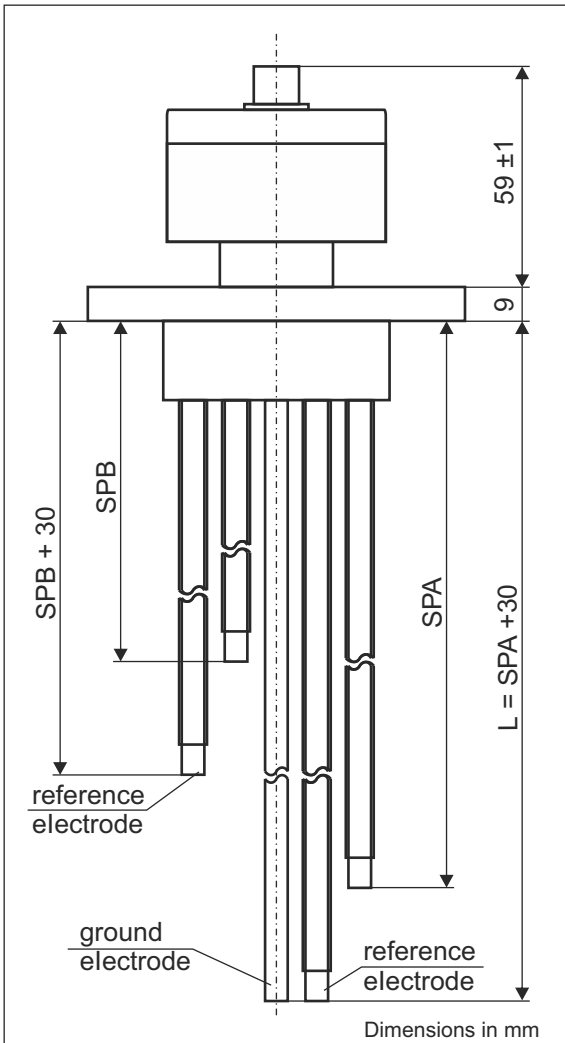


Data sheet
Conductive level measurement with foam insensitivity
Type: KEE-100...



Order key

Example: KEE-100. 2. BE56. SPA=200. SPB=100

Type:

Number of switching points

2

Mounting

Round flange PP OD100 PCD85 BE56
Thread 2" PP BE09

Level switching point SP... = switching point in mm (length control of electrode)

SPA - switching point below, opens on level rise = 200*

SPB - switching point above, opens on level rise = 100* *Specification in mm

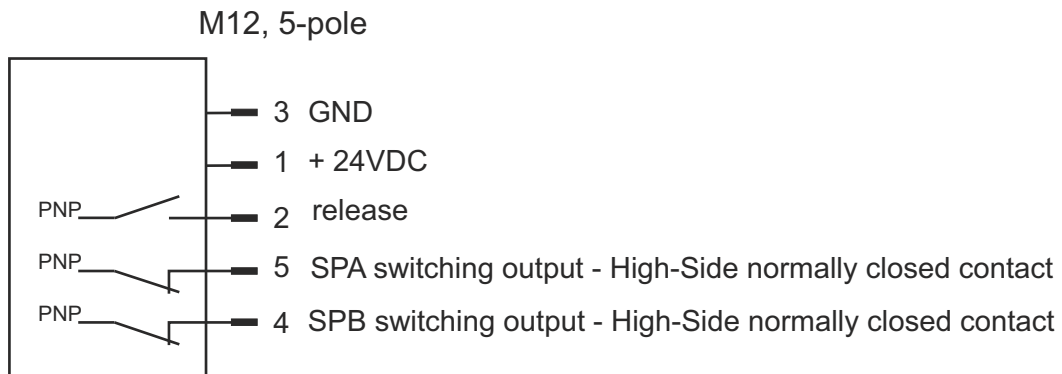
Accessories: 5-pole connector socket. Alternative socket with ready-made cable.

Data sheet

Conductive level measurement with foam insensitivity

Type: KEE-100...

Terminal diagram



Technical data

Connection:	plug-type connector M12x1, 4-pole or 5-pole , material TPU
Mounting:	flange mounting, OD 100 mm, PCD 85 mm, material PP or thread 2" material PP, other mountings on request
Display:	1x green: release 1x red: error 2x yellow: switching points A and B
Operating mode display:	release switches on after initialization and switches off at error
Fault detection:	short circuit at > 30 mS/cm
Fault detection with blinking code:	1x = short circuit Ref. - electrode 2x = short circuit SPB - electrode 3x = short circuit SPA - electrode 4x = SPA - defect of electrode 5x = REF. - defect of electrode 6x = SPB - defect of electrode
Electrode material:	stainless steel 1.4571
Electrode insulation:	polyolefin hose
Electrode length:	as per customer specification, in conformity with the switching points
Medium conductivity:	100 μ S/cm to 10 mS/cm
Output:	2x n. c. contact and 1x n. o. contact, High - Side, 24 VDC / 0.5 A
Switching points:	max. 2, SPA , SPB
Sensitivity:	automatic adjustment of conductivity by reference electrode
Measuring signal:	5 Vss, 1.7 KHz
Integration time:	0.5 sec, fixed setting
Supply voltage:	24 VDC \pm 15%
Pressure:	max. 1 bar
Operating temperature:	-20°C to 80°C in medium, -20°C to 70°C above mounting
Protection rating:	IP65