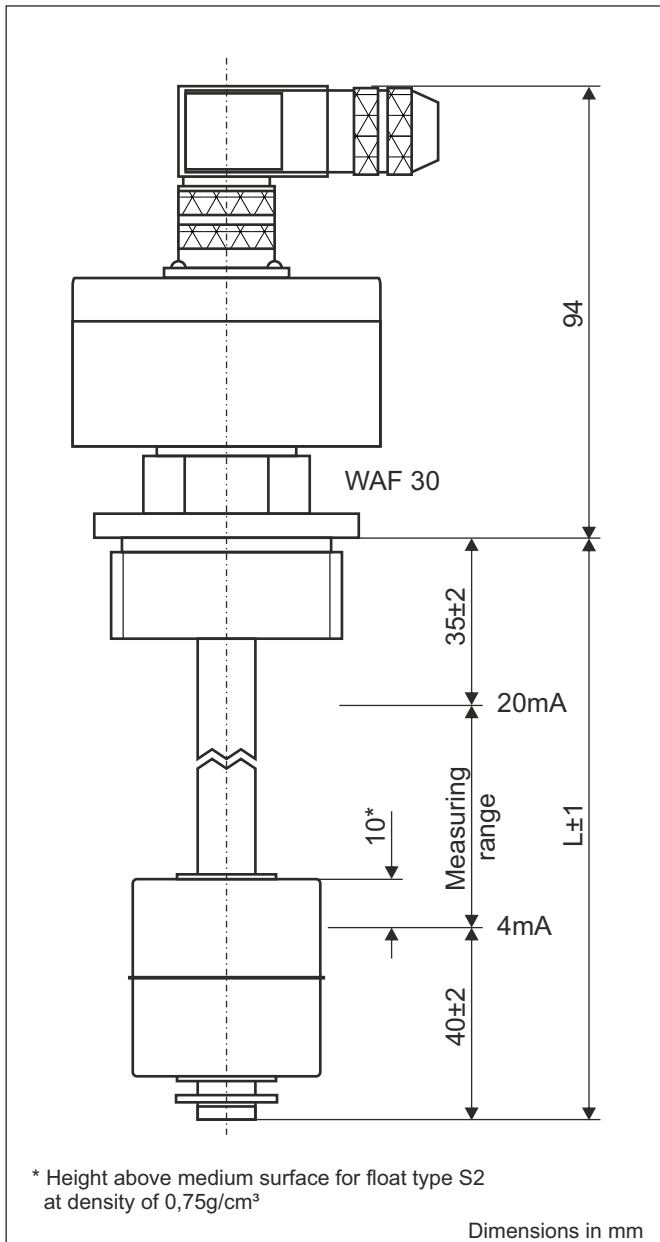


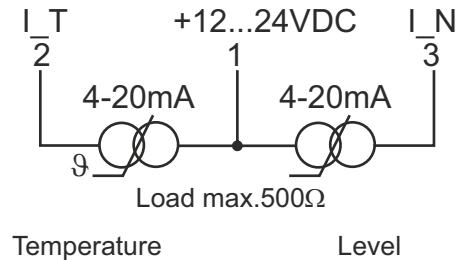
# Data sheet

## Analogue level and temperature measurement

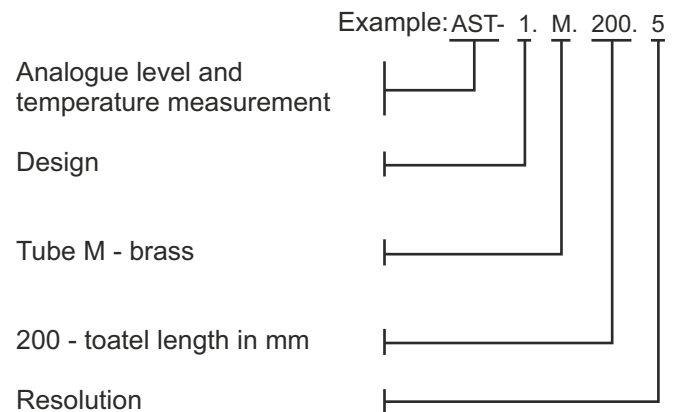
### Type: AST-1...



#### Terminal diagram



#### Order key



#### Technical data

Connection:	3-pol plug-type connector (EMV) at the alu housing 64x58x35
Mounting:	thread 1½", material alu, other materials on request
Tube:	ø12mm, material brass, length L±1mm acc. to customer specification, other materials on request
Float:	ø40x40mm, material PP, type S2
Resolution level:	2,54 / 5,08mm reed chain - acc. To specification
Temperature-tolerance:	± 1°C at measuring range
Linearity deviation in temp.:	± 1 %
Operating voltage:	12...24VDC ±15%, reverse polarity protected
Outputs, measuring range:	level: 4...20mA with L - 75mm = measuring range temp.: 4...20mA with 0...100°C (Standard) - other range on request
Load:	max. 500 Ohm for level and temperature
Pressure:	atmospheric
Operating temperature:	-20°C to 80°C in medium, -20°C to 70°C above mounting
Protection rating:	IP 65

*Subject to change*