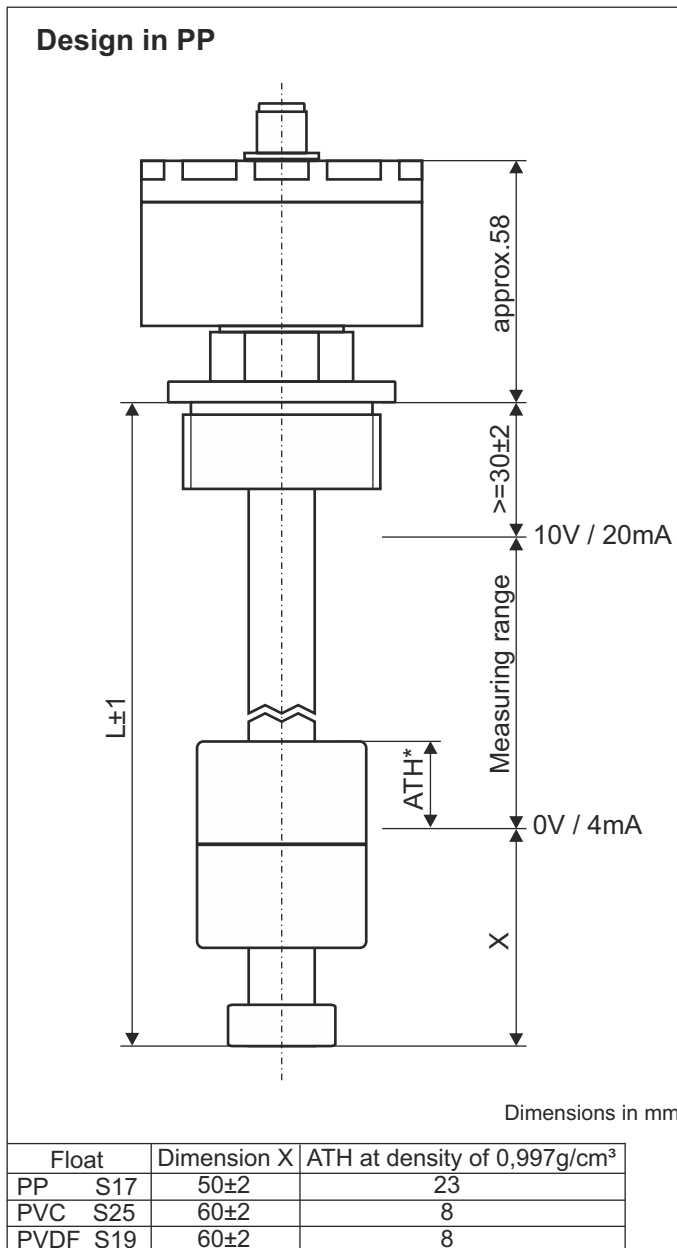


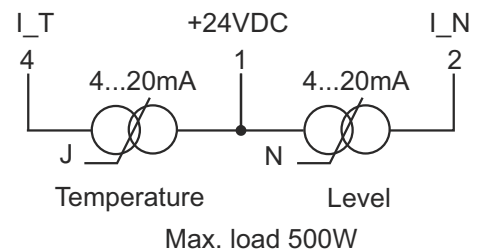
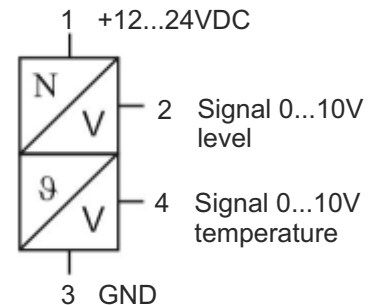
Data sheet

Analogue level and temperature measurement

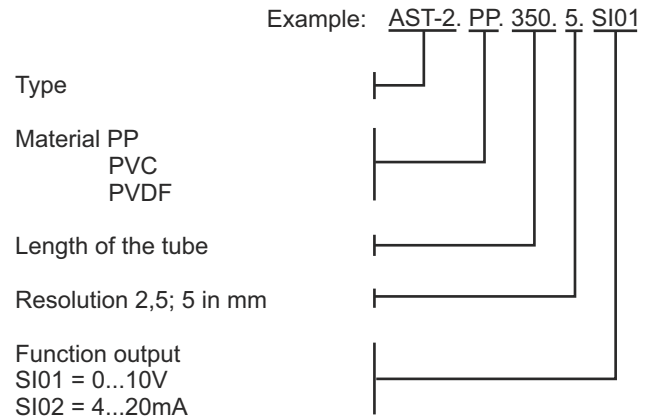
Type: AST-2.P...



Terminal diagram



Order key



Technical data

Connection:	plug-type connector M12x1 4-pole, material TPU on housing Ø68x40, material PP, PVDF or PVC
Mounting:	thread 1 1/2", material PP, PVDF or PVC
Tube:	Ø16mm, length L±1mm according to specification; material PP, PVDF or PVC
Float:	Ø41x50mm, material PP, type S17 Ø41x48mm, material PVC, type S25 Ø41x50mm, material PVDF, type S19
Resolution level:	2,5mm or 5mm
Temperature tolerance:	± 1°C at FS
Linearity deviation temp.:	± 1 %
Supply voltage:	12...24VDC ±15%, reverse polarity protected
Output:	level: SI01 or SI02 over the measuring range temp.: 0...10V or 4...20mA at 0°C to 100°C
Pressure:	1 bar
Operating temperature:	-20°C to 80°C in medium, -20°C to 70°C above mounting (PP), -10°C to 60°C in medium, -10°C to 60°C above mounting (PVC), -20°C to 100°C in medium, -20°C to 70°C above mounting (PVDF)
Protection rating:	IP 65

Subject to change