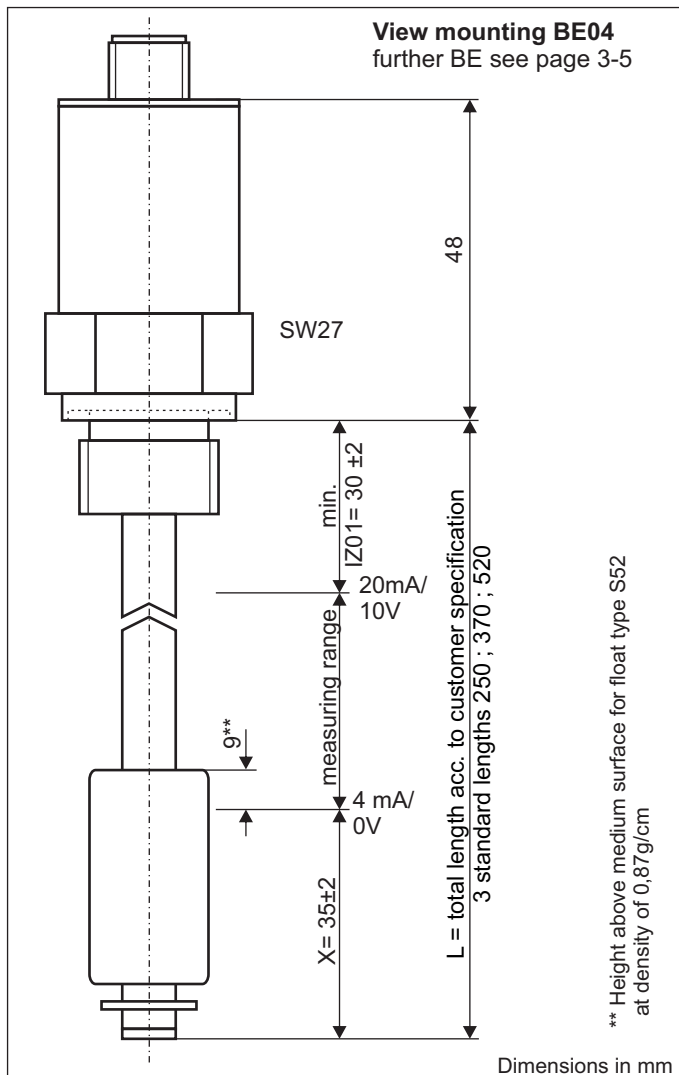


Data sheet

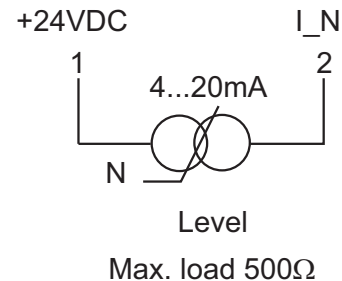
Analogue level measurement

Type: ANM-55...

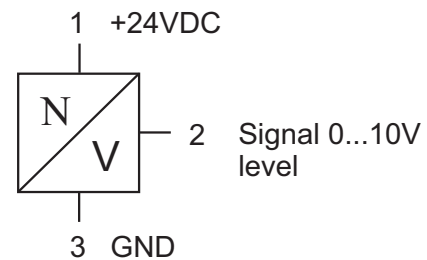


Terminal diagram

SI02



SI01



Technical data

Connection:	plug-type connector M12x1 4-pole, a-coded, without connector socket, material TPU on housing ø27, material see order key,
Mounting:	see order key
Tube:	Ø12mm or Ø8mm, length acc. to customer specification, material brass or stainless steel
Float:	ø17,8x32mm, material NBR, type S52 ø27x31mm, material stainless steel, type S12 ø35x40mm, material PP, type S1 ø45x52mm, material stainless steel 1.4571, type S4 ø21x36mm, material NBR, type S64
Resolution:	2,5; 5 or 10mm reed chain
Measuring range level:	4...20mA over a length of L - IZ01 - X = measuring range in mm, see page 3-5 0...10V over a length of L - IZ01 - X = measuring range in mm, see page 3-5
Load:	max. 500 Ohm
Supply voltage:	24VDC ±15%
Pressure:	atmospheric, 5bar for stainless steel design
Operating temperature:	float NBR/ stainless steel: -20°C to 100°C in medium; -20°C to 70°C above mounting float PP: -15°C to 80°C in medium; -20°C to 70°C above mounting
Protection rating:	IP 65

Data sheet

Analogue level measurement

Type: ANM-55...

Order key ANM-55. GH11. AS01. BE04. RH01=350. IZ01=35. SW52. AL03. SI01. BT01

Housing:
 GH10 = Ø27 stainless steel
 GH11 = Ø27 alu

Connection:
 AS01 = M12x1 4-pole

Mounting: see table 1
 BE04 = 1/2" alu
 BE15 = 1/2" stainless steel
 BE51 = 1" alu
 BE49 = 1" stainless steel
 BE05 = 3/4" alu
 BE63 = 1 1/4" stainless steel
 BE29 = 1 1/2" alu
 BE36 = 1 1/2" stainless steel
 BE38 = 2" stainless steel
 BE02 = M20x1,5 alu
 BE53 = M22x1,5 alu
 BE54 = M24x1,5 alu
 BE21 = flange 80x50 PA

Tube: see table 1
 RH01 = ø8mm brass
 RH02 = ø8mm stainless steel
 RH03 = ø12mm brass
 RH09 = ø12mm stainless steel
 total length L e.g.: 350mm

Inactive zone above:
 IZ01 = e.g. 35mm

Float: see table 2
 SW52 = float S52
 SW12 = float S12
 SW04 = float S4
 SW01 = float S1
 SW64 = float S64

Resolution: see table 1
 AL01 = resolution 2,5mm
 AL03 = resolution 5mm
 AL04 = resolution 10mm

Output:
 SI01 = 0...10V
 SI02 = 4...20mA

Temperature class: see table 3
 BT01 = -20°C...100°C
 BT03 = -15°C...80°C

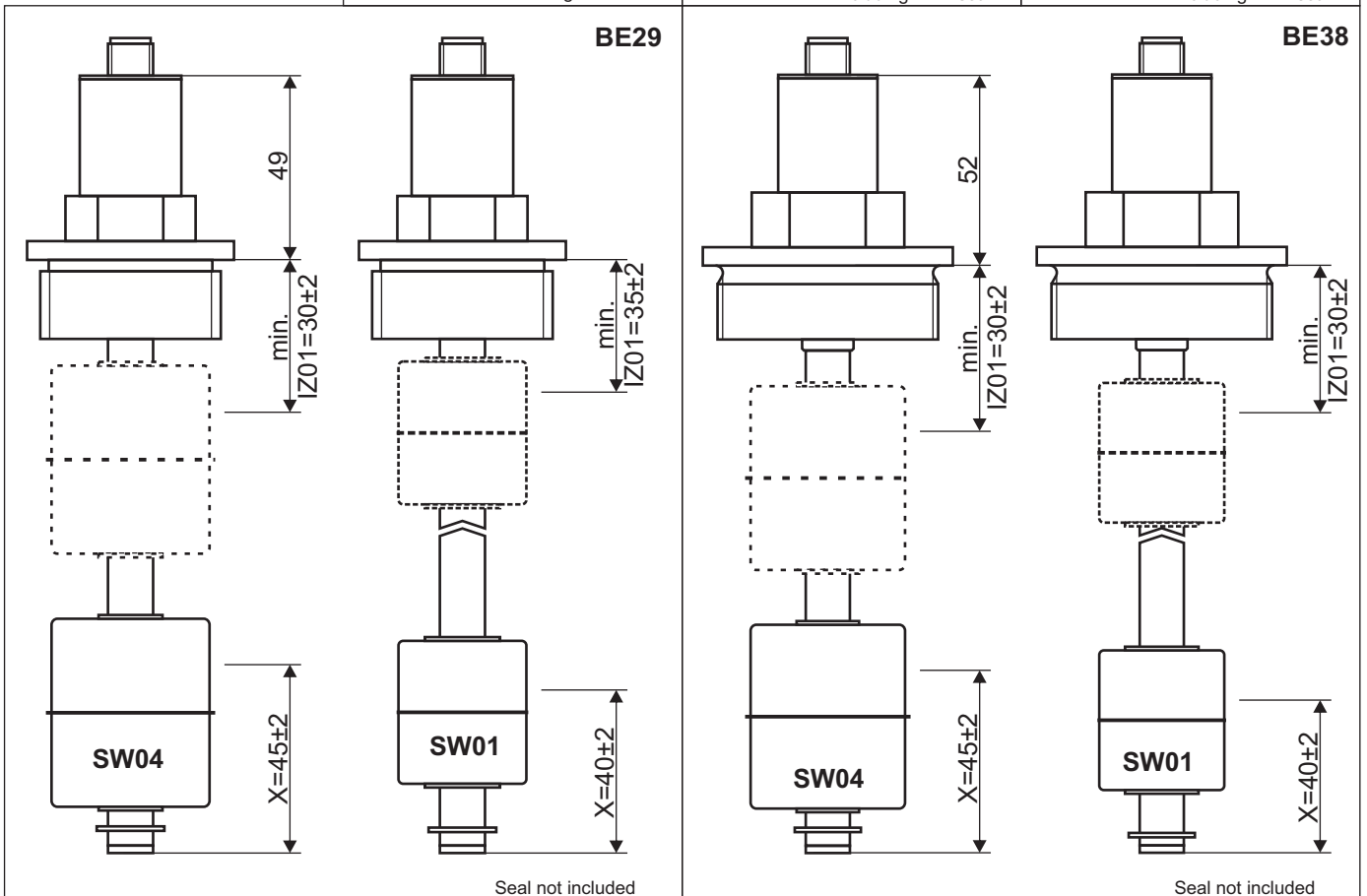
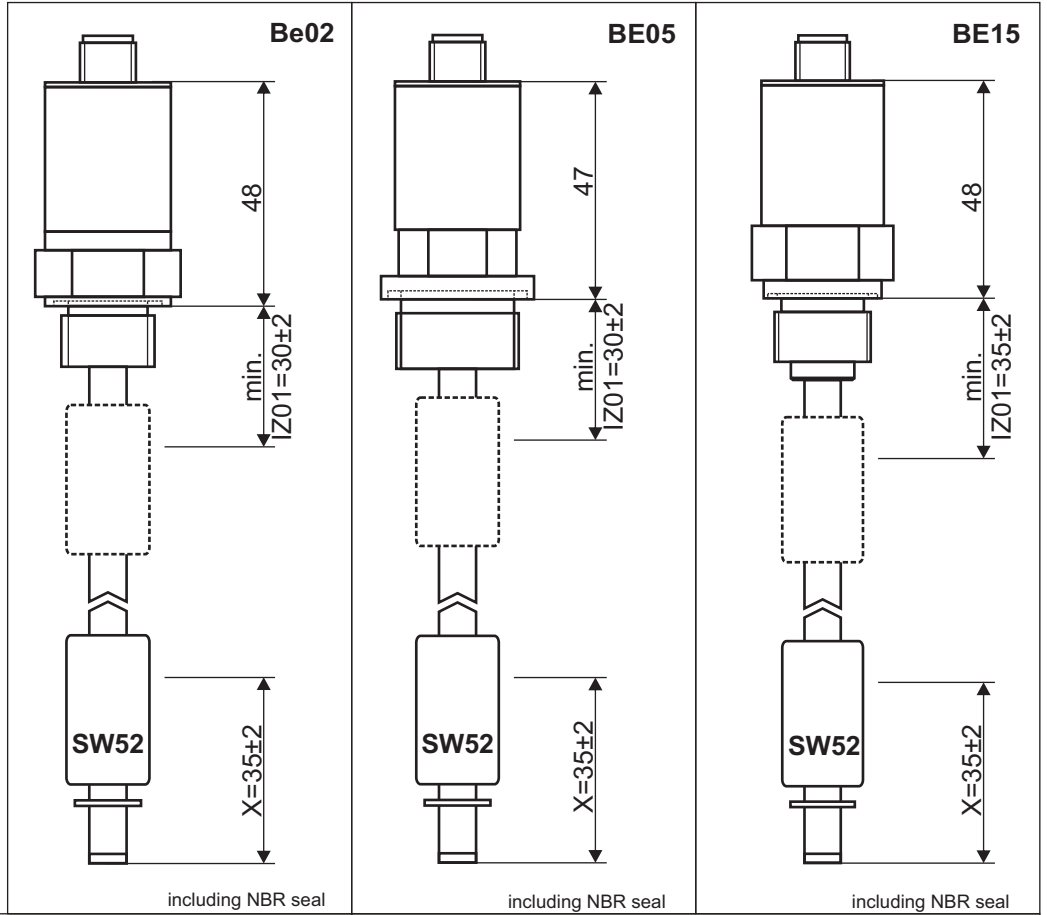
Tabelle 1	Mounting BExx see page 3-5													Auflösung ALxx		
Tube RHxx	BE04	BE15	BE51	BE49	BE02	BE21	BE05	BE29	BE36	BE63	BE38	BE54	BE53	AL01	AL03	AL04
RH01	✓	–	✓	–	✓	✓	✓	–	–	–	–	✓	✓	–	✓	✓
RH02	–	✓	–	✓	–	✓	–	–	–	✓	–	–	–	–	✓	✓
RH03	–	–	–	–	–	–	–	✓	–	–	–	–	–	✓	✓	✓
RH09	–	–	–	–	–	–	–	–	✓	✓	✓	–	–	✓	✓	✓

Tabelle 2	Mounting BExx see page 3-5												
Float SWxx	BE04	BE15	BE51	BE49	BE02	BE21	BE05	BE29	BE36	BE63	BE38	BE54	BE53
SW52	✓	✓	✓	✓	✓	✓	✓	–	–	✓	–	✓	✓
SW12	–	–	✓	✓	–	✓	–	–	–	✓	–	–	–
SW04	–	–	–	–	–	–	–	✓	✓	–	✓	–	–
SW01	–	–	–	–	–	–	–	✓	✓	✓	✓	–	–
SW64	–	–	✓	✓	–	✓	✓	–	–	✓	–	✓	–

Further variants and material possible on request

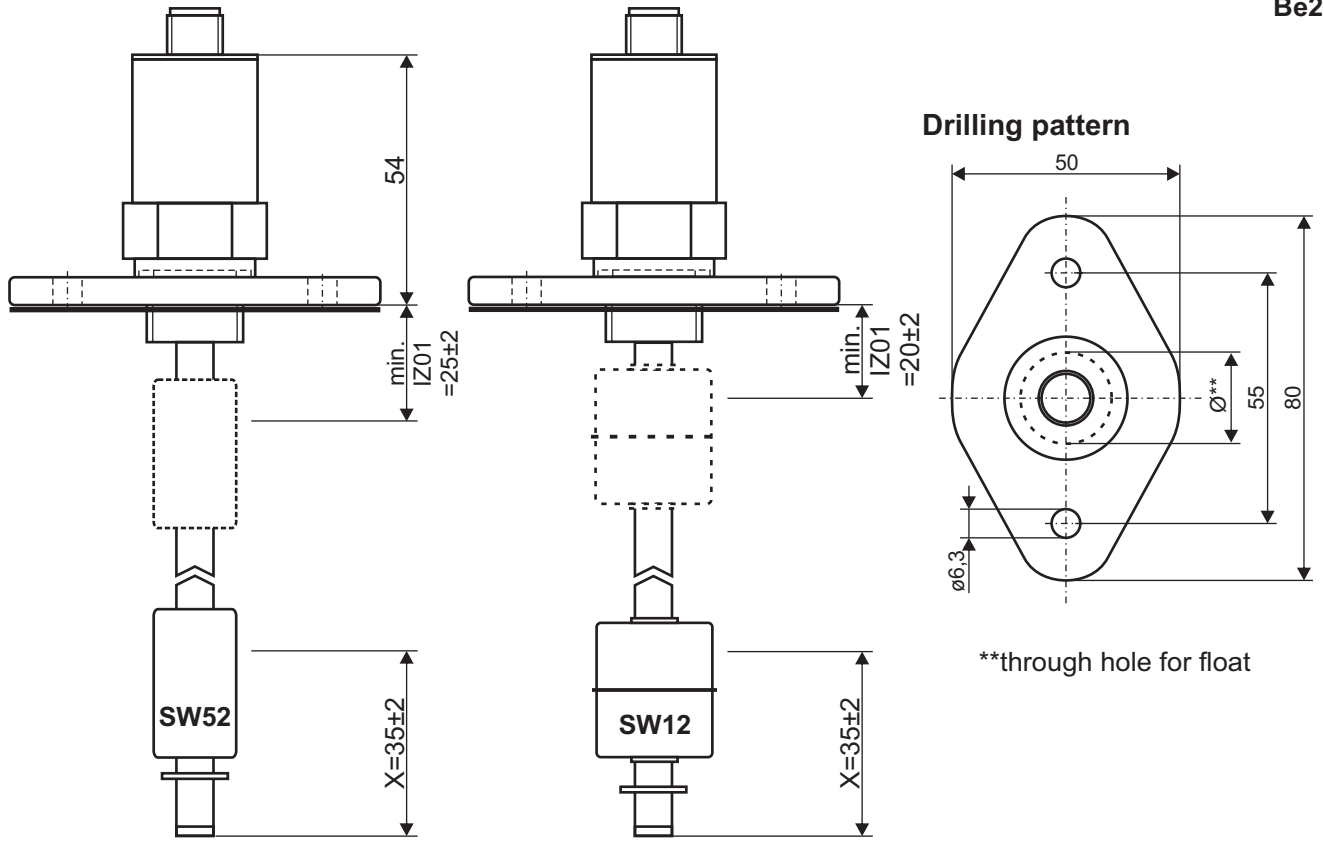
Data sheet
Analogue level measurement
Type: ANM-55...

Table 3	Temperature class BTxx	
	BT01	BT03
Material	BT01	BT03
NBR	✓	—
stainless steel	✓	—
PP	—	✓



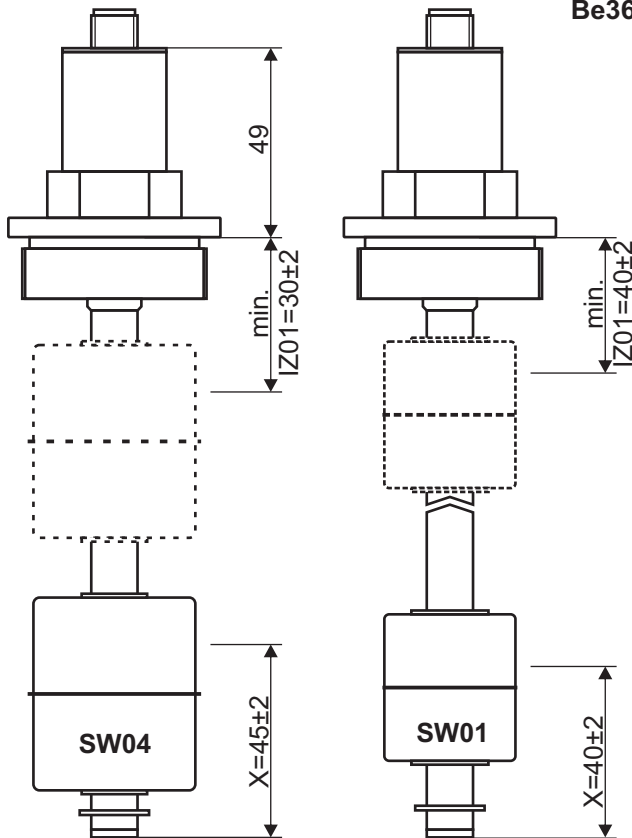
Data sheet
Analogue level measurement
Type: ANM-55...

Be21



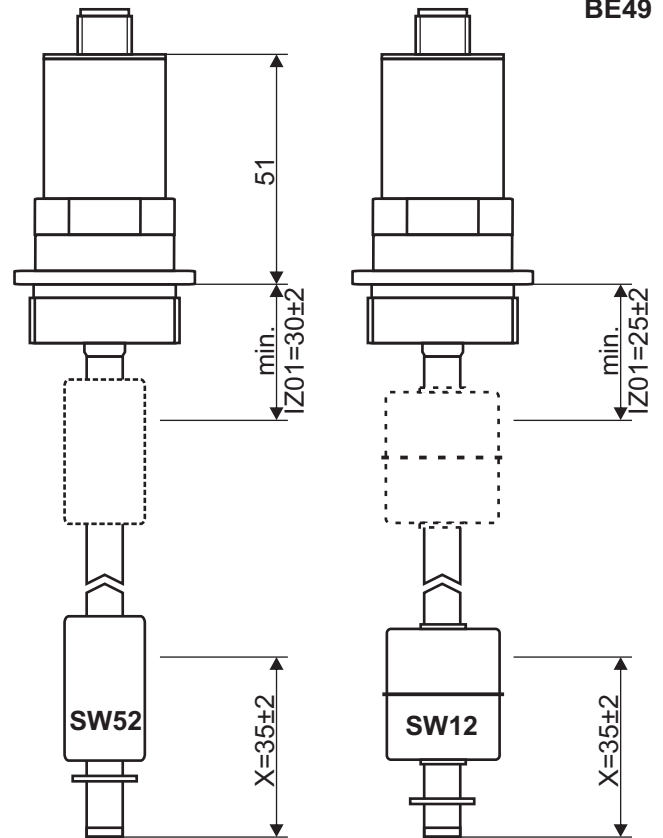
including NBR seal

Be36



Seal not included

BE49



Seal not included

Data sheet
Analogue level measurement
Type: ANM-55...

