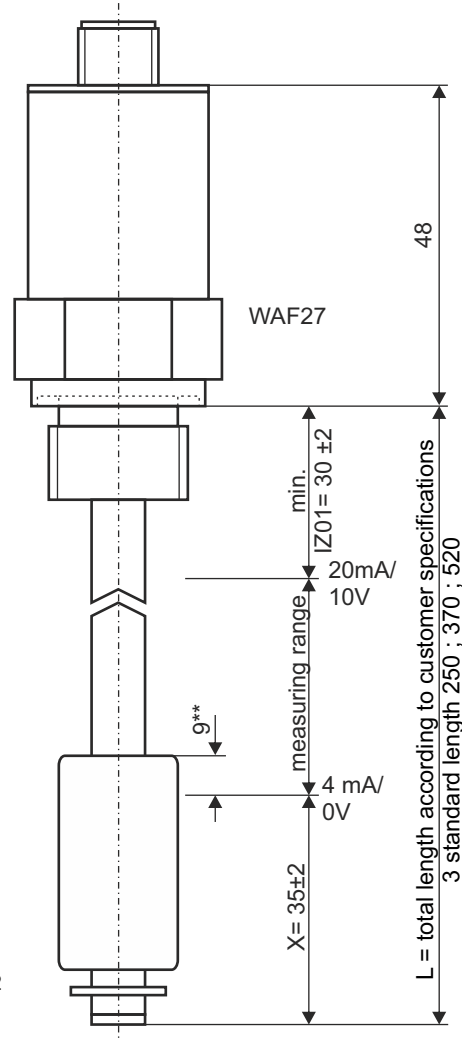


Data sheet

Analogue Level measurement

Type: ANM-55... optional with temperature sensor or switch

View mounting BE04
further BE see page 4-7



** Height above medium surface for float type S52
at density of 0,87g/cm

Dimensions in mm

Technical data

Connection:	plug-type connector M12x1, a-coded, 4-, 5-, 6- or 8-pole without connector socket, material TPU on housing $\varnothing 27$ mm, material see order key.
Mounting:	see order key
Tube:	$\varnothing 12$ mm or $\varnothing 8$ mm, length as specified, material brass or stainless steel
Float:	$\varnothing 17,8 \times 32$ mm, material NBR, type S52 $\varnothing 27 \times 31$ mm, material stainless steel, type S12 $\varnothing 35 \times 40$ mm, material PP, type S1 $\varnothing 45 \times 52$ mm, material stainless steel 1.4571, type S4
Resolution:	2,5; 5 or 10mm reed chain
Measuring range level:	4...20mA over a length of $L - IZ01 - X =$ measuring range in mm, see page 4-7 0...10V over a length of $L - IZ01 - X =$ measuring range in mm, see page 4-7
Load:	max. 500 Ohm
Supply voltage:	24VDC $\pm 15\%$
Temperature sensor:	platinum measuring resistor PT100 or PT1000 in 2-wire, 3-wire, 4-wire, according DIN EN 60751 class B
Temperature switch:	switching function: n.c. contact/n.o. contact, standard switching point 60°C to 80°C; further on page 3 accuracy $\pm 5^\circ\text{C}$, smaller tolerances on request reset temperature = TP $-30^\circ\text{C} \pm 15^\circ\text{C}$
Pressure:	atmospheric, 5bar for stainless steel design
Operating temperature:	float NBR/ stainless steel: -20°C to 100°C in medium; -20°C to 70°C above mounting float: PP: -15°C to 80°C in medium; -20°C to 70°C above mounting
Protection rating:	IP 65

Data sheet

Analogue Level measurement

Type: ANM-55... optional with temperature sensor or switch

Order key

e.g.: ANM-55. GH11. AS01. BE12. RH01=350. IZ01=35. SW52. AL03. SI01. T60O. BT01

Housing:

GH10 = Ø27 stainless steel
GH11 = Ø27 alu

Connection: see table 4

AS01 = M12x1 4-pole
AS23 = M12x1 5-pole
AS04 = M12x1 6-pole
AS05 = M12x1 8-pole

Mounting: see table 1

BE04 = 1/2" alu
BE15 = 1/2" stainless steel
BE51 = 1" alu
BE49 = 1" stainless steel
BE05 = 3/4" alu
BE63 = 1 1/4" stainless steel
BE29 = 1 1/2" alu
BE36 = 1 1/2" stainless steel
BE38 = 2" stainless steel
BE02 = M20x1,5 alu
BE53 = M22x1,5 alu
BE54 = M24x1,5 alu
BE21 = flange 80x50 PA

Tube: see table 1

RH01 = ø8mm brass
RH02 = ø8mm stainless steel
RH03 = ø12mm brass
RH09 = ø12mm stainless steel
total length L e.g.: 350mm

Inactive zone above:

IZ01 = e.g. 35mm

Float: see table 2

SW52 = float S52
SW12 = float S12
SW04 = float S4
SW01 = float S1

Resolution: see table 1

AL01 = resolution 2,5mm
AL03 = resolution 5mm
AL04 = resolution 10mm

Output:

SI01 = 0...10V
SI02 = 4...20mA

Temperature switch or sensor: see page 3

Temperature switch
T70O = 70°C n.c.contact
T60S = 60°C n.o.contact

Temperature sensor

PT100 2-wire = PT100
PT100 3-wire = PT103
PT100 4-wire = PT104
PT1000 2-wire = PT1000
PT1000 3-wire = PT1003
PT1000 4-wire = PT1004

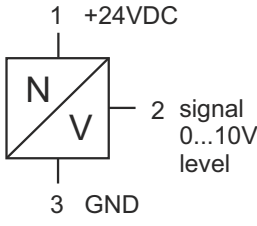
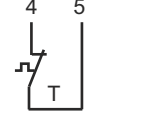
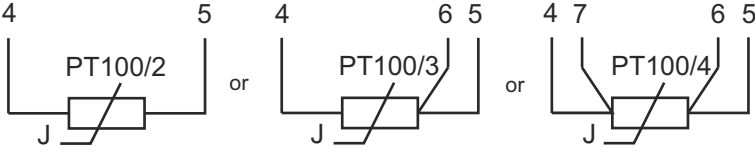
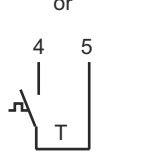
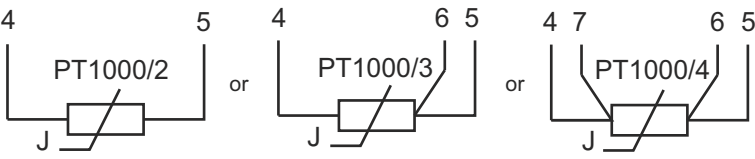
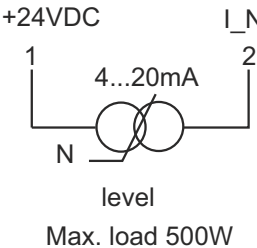
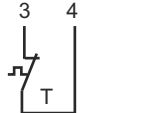
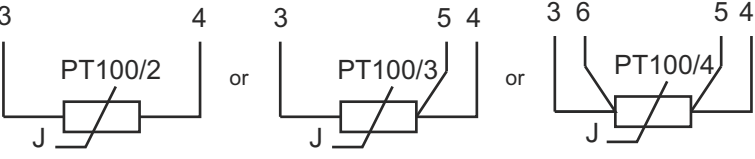
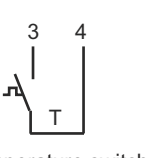
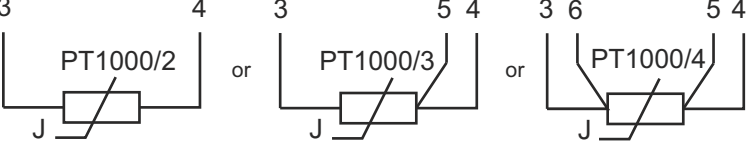
Temperature class: see table 3

BT01 = -20°C...100°C
BT03 = -15°C...80°C

Data sheet

Analogue Level measurement

Type: ANM-55... optional with temperature sensor or switch

Terminal diagram optional with temperature switch or sensor			
SI01 	 Temperature switch n.c.contact	 Temperature sensor PT100	
	 Temperature switch n.o.contact	 Temperature sensor PT1000	
SI02 	 Temperature switch n.o.contact	 Temperature sensor PT100	
	 Temperature switch n.c.contact	 Temperature sensor PT1000	

Temperature switching point range:

Switching temperature	Reset temperature	Switching temperature	Reset temperature
40°C±5K	≥ 27°C	95°C±5K	70°C±15K
45°C±5K	≥ 30°C	100°C±5K	70°C±15K
50°C±5K	≥ 33°C	105°C±5K	75°C±15K
55°C±5K	34-47°C	110°C±5K	75°C±15K
60°C±5K	35-52°C	115°C±5K	80°C±15K
65°C±5K	36-57°C	120°C±5K	85°C±15K
70°C±5K	38-60°C	125°C±5K	90°C±15K
75°C±5K	38-63°C	130°C±5K	95°C±15K
80°C±5K	55°C±15K	135°C±5K	100°C±15K
85°C±5K	60°C±15K	140°C±5K	105°C±15K
90°C±5K	65°C±15K	145°C±5K	105°C±15K

Data sheet

Analogue Level measurement

Type: ANM-55... optional with temperature sensor or switch

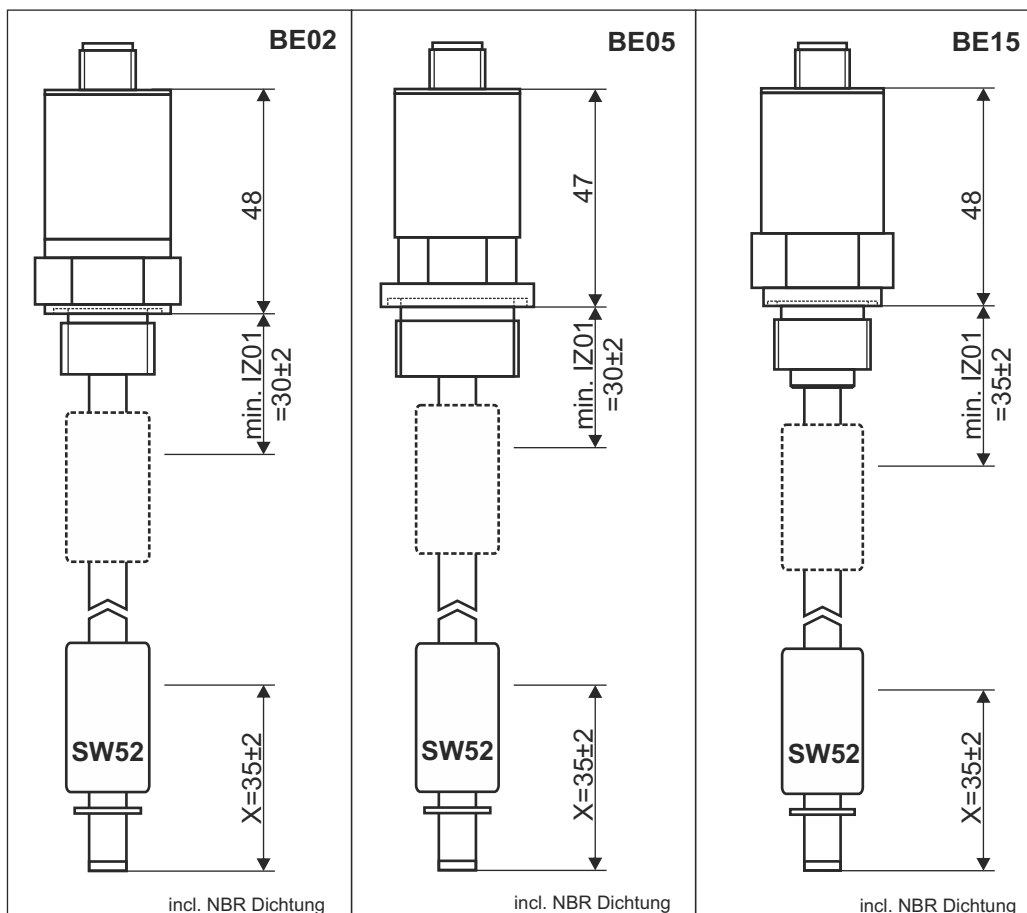
Table 1	Mounting BExx see page 3-5													Resolution ALxx		
Tube RHxx	BE04	BE15	BE57	BE49	BE02	BE21	BE05	BE29	BE36	BE63	BE38	BE54	BE53	AL07	AL03	AL04
RH01	✓	–	✓	–	✓	✓	✓	–	–	–	–	✓	✓	–	✓	–
RH02	–	✓	–	✓	–	✓	–	–	–	✓	–	–	–	–	✓	–
RH03	–	–	–	–	–	–	–	✓	–	–	–	–	–	✓	✓	✓
RH09	–	–	–	–	–	–	–	–	✓	✓	✓	–	–	✓	✓	✓

Table 2	Mounting BExx see page 3-5												
Float SWxx	BE04	BE15	BE57	BE49	BE02	BE21	BE05	BE29	BE36	BE63	BE38	BE54	BE53
SW52	✓	✓	✓	✓	✓	✓	✓	–	–	✓	–	✓	✓
SW12	–	–	✓	✓	–	✓	–	–	–	✓	–	–	–
SW04	–	–	–	–	–	–	–	✓	✓	–	✓	–	–
SW01	–	–	–	–	–	–	–	✓	✓	✓	✓	–	–

Other variants and material on request possible

Table 3	Temperature class BTxx	
Material	BT01	BT03
NBR	✓	–
Stainless steel	✓	–
PP	–	✓

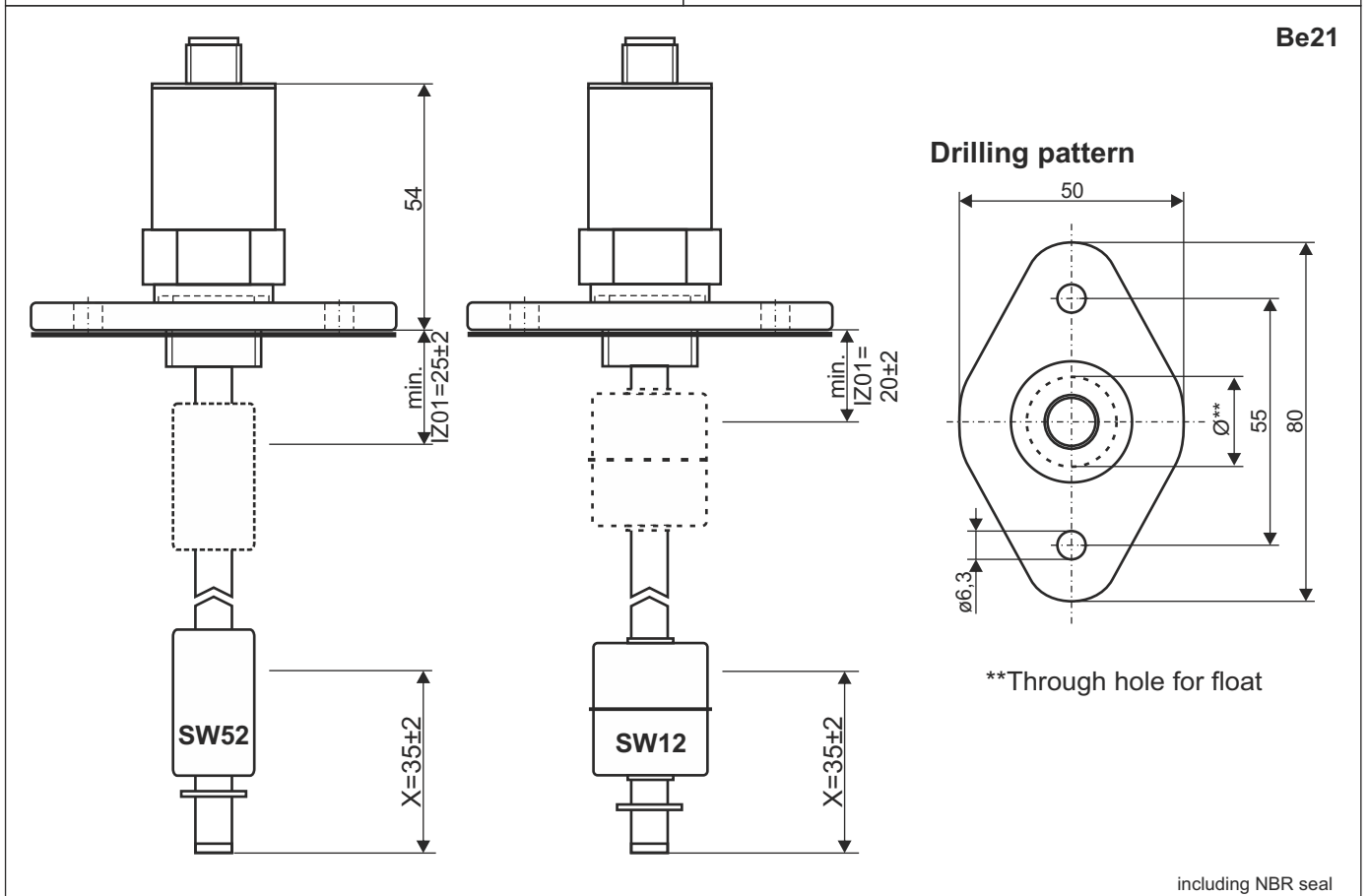
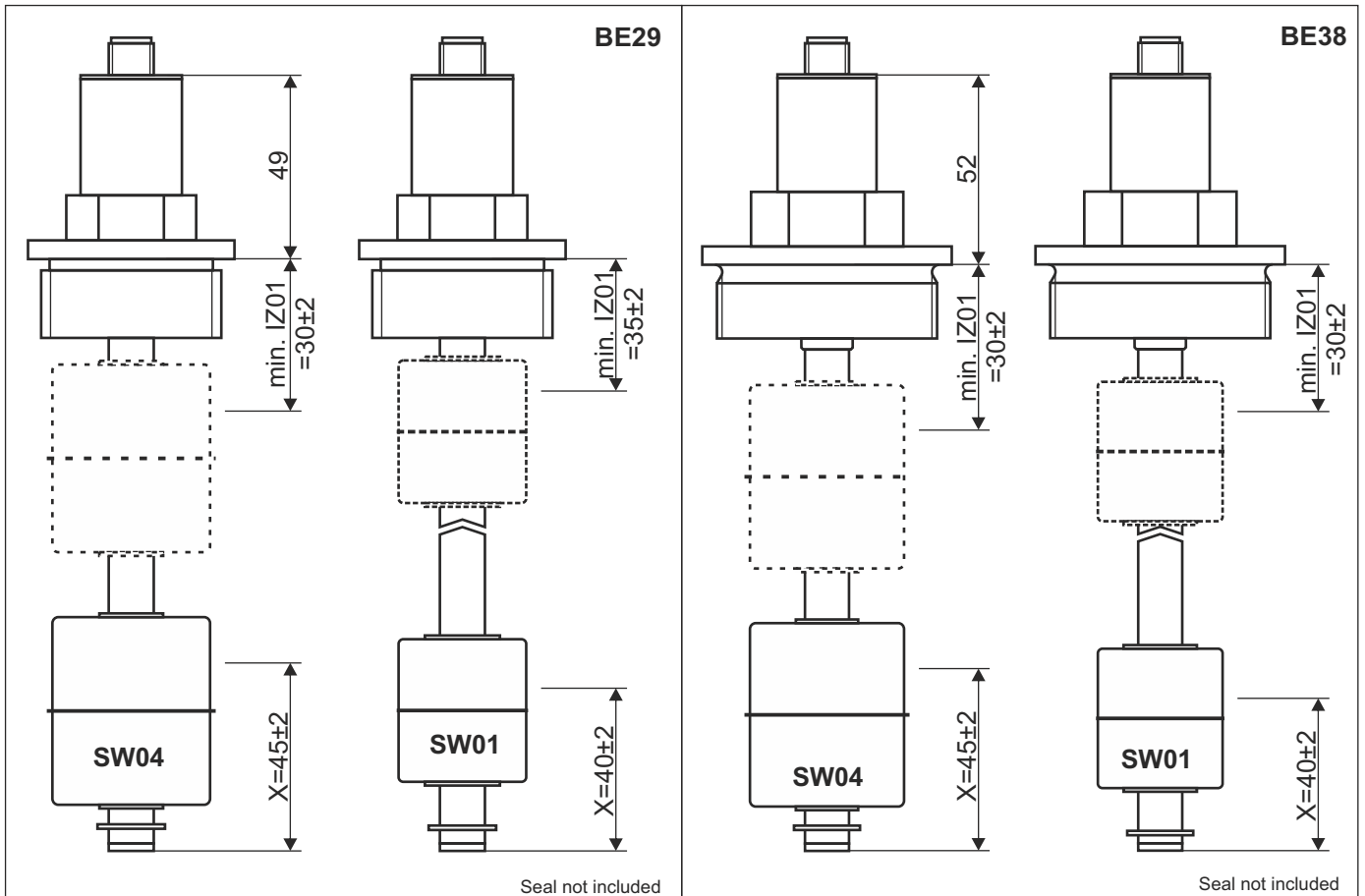
Table 4	Temperature switch /-sensor			
Output SIXX	TXXO/S	PT100/2 PT1000/2	PT100/3 PT1000/3	PT100/4 PT1000/4
SI01	AS23	AS23	AS04	AS05
SI02	AS01	AS01	AS23	AS04



Data sheet

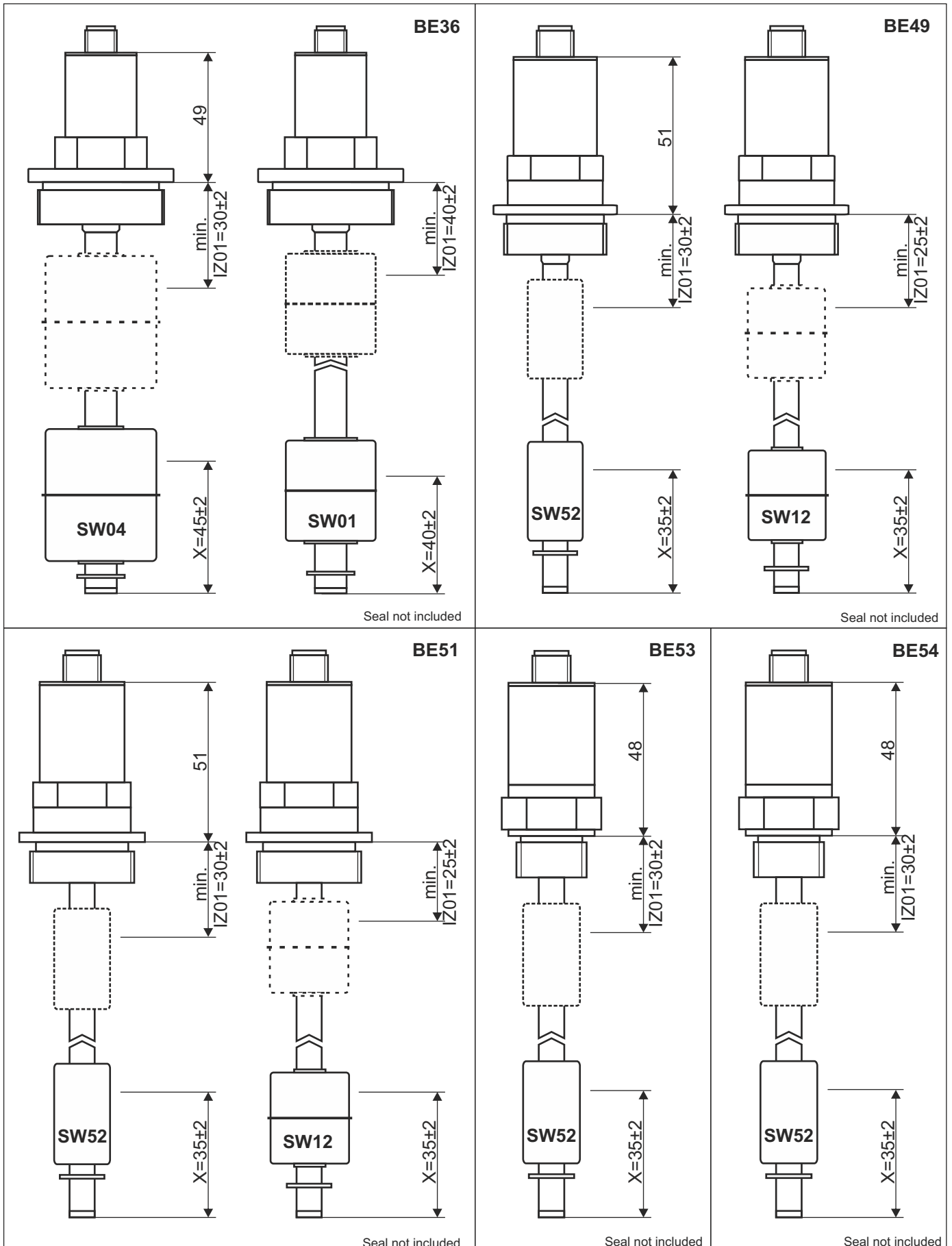
Analogue Level measurement

Type: ANM-55... optional with temperature sensor or switch



including NBR seal

Data sheet
Analogue Level measurement
Type: ANM-55... optional with temperature sensor or switch



Data sheet

Analogue Level measurement

Type: ANM-55... optional with temperature sensor or switch

